

# **marantz®**

**Model ST7001 User Guide**

---

DAB / FM / AM Tuner

## ENGLISH

### **WARRANTY**

For warranty information, contact your local Marantz distributor.

### **RETAIN YOUR PURCHASE RECEIPT**

Your purchase receipt is your permanent record of a valuable purchase. It should be kept in a safe place to be referred to as necessary for insurance purposes or when corresponding with Marantz.

### **IMPORTANT**

When seeking warranty service, it is the responsibility of the consumer to establish proof and date of purchase. Your purchase receipt or invoice is adequate for such proof.

### **FOR U.K. ONLY**

This undertaking is in addition to a consumer's statutory rights and does not affect those rights in any way.

## FRANÇAIS

### **GARANTIE**

Pour des informations sur la garantie, contacter le distributeur local Marantz.

### **CONSERVER L'ATTESTATION D'ACHAT**

L'attestation d'achat est la preuve permanente d'un achat de valeur. La conserver en lieu sûr pour s'y reporter aux fins d'obtention d'une couverture d'assurance ou dans le cadre de correspondances avec Marantz.

### **IMPORTANT**

Pour l'obtention d'un service couvert par la garantie, il incombe au client d'établir la preuve de l'achat et d'en corroborer la date. Le reçu ou la facture constituent des preuves suffisantes.

## DEUTSCH

### **GARANTIE**

Bei Garantiefragen wenden Sie sich bitte an Ihren Marantz-Händler.

### **HEBEN SIE IHRE QUITTING GUT AUF**

Die Quittung dient Ihnen als bleibende Unterlage für Ihren wertvollen Einkauf. Das Aufbewahren der Quittung ist wichtig, da die darin enthaltenen Angaben für Versicherungszwecke oder bei Korrespondenz mit Marantz angeführt werden müssen.

### **WICHTIG!**

Bei Garantiefragen muß der Kunde eine Kaufunterlage mit Kaufdatum vorlegen. Ihre Quittung oder Rechnung ist als Unterlage ausreichend.

## NEDERLANDS

### **GARANTIE**

Voor inlichtingen omtrent garantie dient u zich tot uw plaatselijke Marantz.

### **UW KWITANTIE, KASSABON E.D. BEWAREN**

Uw kwitantie, kassabon e.d. vormen uw bewijs van aankoop van een waardevol artikel en dienen op een veilige plaats bewaard te worden voor evt, verwijzing bijv, in verbend met verzekering of bij correspondentie met Marantz.

### **BELANGRIJK**

Bij een evt, beroep op de garantie is het de verantwoordelijkheid van de consument een gedateerd bewijs van aankoop te tonen. Uw kassabon of factuur zijn voldoende bewijs.

## ESPAÑOL

### **GARANTIA**

Para obtener información acerca de la garantía póngase en contacto con su distribuidor Marantz.

### **GUARDE SU RECIBO DE COMPRA**

Su recibo de compra es su prueba permanente de haber adquirido un aparato de valor. Este recibo deberá guardarlo en un lugar seguro y utilizarlo como referencia cuando tenga que hacer uso del seguro o se ponga en contacto con Marantz.

### **IMPORTANTE**

Quando solicite el servicio otorgado por la garantía el usuario tiene la responsabilidad de demostrar cuándo efectuó la compra. En este caso, su recibo de compra será la prueba apropiada.

## ITALIANO

### **GARANZIA**

L'apparecchio è coperto da una garanzia di buon funzionamento della durata di un anno, o del periodo previsto dalla legge, a partire dalla data di acquisto comprovata da un documento attestante il nominativo del Rivenditore e la data di vendita. La garanzia sarà prestata con la sostituzione o la riparazione gratuita delle parti difettose.

Non sono coperti da garanzia difetti derivanti da uso improprio, errata installazione, manutenzione effettuata da personale non autorizzato o, comunque, da circostanze che non possano riferirsi a difetti di funzionamento dell'apparecchio. Sono inoltre esclusi dalla garanzia gli interventi inerenti l'installazione e l'allacciamento agli impianti di alimentazione.

Gli apparecchi verranno riparati presso i nostri Centri di Assistenza Autorizzati. Le spese ed i rischi di trasporto sono a carico del cliente.

La casa costruttrice declina ogni responsabilità per danni diretti o indiretti provocati dalla inosservanza delle prescrizioni di installazione, uso e manutenzione dettagliate nel presente manuale o per guasti dovuti ad uso continuato a fini professionali.

## SVENSKA

### **GARANTI**

För information om garantin, kontakta Marantz lokalagent.

### **SPAR KVITTOT**

Kvittot är ett inköpsbevis på en värdefull vara. Det skall förvaras säkert och hänvisas till vid försäkringsfall eller vidkorrespondens mod Marantz.

### **VIKTIGT**

Fö att garantin skall gälla är det kundens sak att framställa bevis och datum om köpet. Kvitto eller faktura är tillräckligt bevis för detta.

# CE MARKING

- English**  
The ST7001 is in conformity with the EMC directive and low-voltage directive.
- Français**  
Le ST7001 est conforme à la directive EMC et à la directive sur les basses tensions.
- Deutsch**  
Das Modell ST7001 entspricht den EMC-Richtlinien und den Richtlinien für Niederspannungsgeräte.
- Nederlands**  
De ST7001 voldoet aan de EMC eisen en de vereisten voor laag-voltage.
- Español**  
El ST7001 está de acuerdo con las normas EMC y las relacionadas con baja tensión.
- Italiano**  
Il ST7001 è conforme alle direttive CEE ed a quelle per i bassi voltaggi.
- Svenska**  
ST7001 är tillverkad i enlighet med EMC direktiven och direktiven för lågvoltstrusning.

## English

### WARNINGS

- Do not expose the equipment to rain or moisture.
- Do not remove the cover from the equipment.
- Do not insert anything into the equipment through the ventilation holes.
- Do not handle the mains cord with wet hands.
- Do not cover the ventilation with any items such as tablecloths, newspapers, curtains, etc.
- No naked flame sources, such as lighted candles, should be placed on the equipment.
- When disposing of used batteries, please comply with governmental regulations or environmental public instruction's rules that apply in your country or area.
- Make a space of about 0.1 meter around the unit.
- No objects filled with liquids, such as vases, shall be placed on the apparatus.
- When the switch is in the OFF position, the equipment is not completely switched off from MAINS.
- The Socket-Outlet shall be installed near the equipment and shall be easily accessible.

## Français

### AVERTISSEMENTS

- Ne pas exposer l'appareil à la pluie ni à l'humidité.
- Ne pas essayer de retirer le boîtier de l'appareil.
- Ne rien insérer dans l'appareil par les orifices de ventilation.
- Ne pas manipuler le cordon d'alimentation avec les mains mouillées.
- Ne pas recouvrir les ouïes de ventilation avec un objet quelconque comme une nappe, un journal, un rideau, etc.
- Ne placer aucune source de flamme nue, comme une bougie allumée, sur l'appareil.
- Pour mettre au rebut les piles usées, respecter les lois gouvernementales ou les règlements officiels concernant l'environnement qui s'appliquent à votre pays ou région.
- Veiller à ce qu'aucun objet ne soit à moins de 0,1 mètre des côtés de l'appareil.
- Aucun objet rempli de liquide, un vase par exemple, ne doit être placé sur l'appareil.
- Lorsque l'interrupteur est sur la position OFF, l'appareil n'est pas complètement déconnecté du SECTEUR (MAINS).
- La prise électrique doit se trouver près de l'appareil et être facilement accessible.

## Deutsch

### WARNHINWEISE

- Das Gerät nicht Regen oder Feuchtigkeit aussetzen.
- Die Abdeckung nicht vom Gerät abnehmen.
- Keine Gegenstände durch die Belüftungsschlitze stecken.
- Das Netzkabel nicht mit feuchten oder nassen Händen anfassen.
- Decken Sie die Lüftungsöffnungen nicht mit einem Tischtuch, einer Zeitung, einem Vorhang usw. ab.
- Es dürfen keine Gegenstände mit offener Flamme, wie etwa brennende Kerzen, auf dem Gerät aufgestellt werden.
- Beachten Sie bei der Entsorgung der verbrauchten Batterien alle geltenden lokalen und überregionalen Regelungen.
- Auf allen Geräteseiten muß ein Zwischenraum von ungefähr 0,1 meter vorhanden sein.
- Auf das Gerät dürfen keine mit Flüssigkeiten gefüllte Behälter, wie etwa eine Vase, gestellt werden.
- Wenn der Schalter ausgeschaltet ist (OFF-Position), ist das Gerät nicht vollständig vom Stromnetz (MAINS) abgetrennt.
- Die Netzsteckdose muss sich in der Nähe des Gerätes befinden, und ein unbehinderter Zugang dazu muss jederzeit gewährleistet sein.

## Nederlands

### WAARSCHUWINGEN

- Stel het apparaat niet bloot aan regen of vocht.
- Verwijder de afdekplaat van het apparaat niet.
- Duw niets door de ventilatieopeningen in het apparaat.
- Raak het netsnoer niet met natte handen aan.
- Bedek de ventilatieopeningen niet met enige voorwerpen, zoals tafelkleden, kranten, gordijnen, enz.
- Plaats geen brandende voorwerpen, zoals kaarsen, op het apparaat.
- Volg bij het weggooien van verbruikte batterijen de overheidswetgeving of milieuvorschriften op die van kracht zijn in het land of de regio waarin u zich bevindt.
- Zorg dat er 0,1 meter vrije ruimte rond het toestel is.
- Plaats geen voorwerpen met een vloeistof erin, zoals een bloemenvaas, op het apparaat.
- Als de schakelaar op OFF staat, is het apparaat niet volledig losgekoppeld van de netspanning (MAINS).
- Het stopcontact dient in de buurt van het apparaat te zitten en eenvoudig bereikbaar te zijn.

## **Español**

### **ADVERTENCIAS**

- No exponga el equipo a la lluvia ni a la humedad.
- No extraiga la tapa del equipo.
- No introduzca nada en el interior del equipo a través de los orificios de ventilación.
- No maneje el cable de alimentación con las manos mojadas.
- No cubra la ventilación con objetos como manteles, periódicos, cortinas, etc.
- No deben colocarse sobre el equipo elementos con fuego, por ejemplo velas encendidas.
- Cuando se eliminan baterías usadas, deben cumplirse las reglamentaciones oficiales o las normas de protección medioambiental aplicables en su país o en su zona.
- Deje un espacio de unos 0,1 metro alrededor de la unidad.
- No se deben colocar sobre el aparato recipientes que contengan líquidos, como por ejemplo jarrones.
- Cuando el interruptor está en la posición OFF, el equipo no está completamente desconectado de la alimentación MAINS.
- La toma de corriente se debe instalar cerca del equipo y ser de fácil acceso.

## **Italiano**

### **AVVERTENZE**

- Non esporre l'apparecchio alla pioggia o all'umidità.
- Non rimuovere il coperchio dell'apparecchio.
- Non introdurre oggetti all'interno dell'apparecchio attraverso i fori di ventilazione.
- Non toccare il cavo di alimentazione con le mani bagnate.
- Non coprire le fessure di ventilazione con tovaglie, giornali, tende od oggetti analoghi.
- Non posare sull'apparecchio sorgenti di fiamme scoperte quali candele accese.
- Smaltire le pile usate in conformità alle norme governative o disposizioni ambientali vigenti nel proprio paese o zona.
- Lasciare 0,1 metro liberi tutto intorno l'unità.
- Non mettere sull'apparecchiatura alcun contenitore di liquido, come ad esempio dei vasi.
- Quando l'interruttore è nella posizione OFF, l'apparecchiatura non è completamente scollegata da MAINS.
- La presa elettrica dovrebbe essere installata in prossimità dell'apparecchio ed essere facilmente accessibile.

## **Svenska**

### **VARNINGAR**

- Utsätt inte utrustningen för regn eller fukt.
- Ta inte bort utrustningens hölje.
- För inte in föremål i utrustningen genom ventilationshålen.
- Hantera inte nätsladden med våta händer.
- Täck inte för ventilationsöppningarna med några föremål som till exempel bordsdukar, dagstidningar, gardiner e.d.
- Inga föremål med öppen låga, som till exempel tända stearinljus, bör placeras på utrustningen.
- Följ de lagar och miljöskyddsråd som gäller i det land eller område där du bor när du gör dig av med batterier.
- Se till att det finns omkring 0,1 meter fri plats runt omkring enheten.
- Inga objekt som är fyllda med någon vätska, till exempel blomstervaser, bör placeras på apparaten.
- Även om strömbrytaren står i det avstängda läget OFF, så är utrustningen inte helt bortkopplad från det elektriska nätet (MAINS).
- Uttaget ska vara installerat nära utrustningen och vara lättillgängligt.

# CONTENTS

FEATURES .....	1
BEFORE USE .....	2
PART NAMES AND FUNCTIONS .....	4
FRONT PANEL .....	4
REAR PANEL .....	5
REMOTE CONTROL UNIT .....	6
CONNECTIONS.....	8
CONNECTING THE ANTENNA TERMINALS .....	8
CONNECTING THE AMPLIFIER .....	9
OPERATION .....	10
LISTENING TO FM/AM .....	10
LISTENING TO DAB BROADCAST .....	18
SEARCH MODE .....	20
SORT MODE (SORTING COMPONENTS) .....	22
OTHER OPERATION .....	24
SETTING THE CLOCK .....	24
TIMER PROGRAMS .....	25
LAST FUNCTION MEMORY .....	27
INITIALIZATION OF THE MICROPROCESSOR .....	27
TROUBLESHOOTING .....	28
SPECIFICATIONS & DIMENSIONAL DRAWINGS .....	29
OTHERS .....	30

## FEATURES

- **Equipped for Both Band III and L-Band Reception**
- **High Performance D/A Converter**
- **200 Channels, Group Presets**
- **Customizable Station Names**
- **Weekly Timer Program**
- **Sleep Timer**
- **RDS-Compatible**
- **Display Dimmer**
- **DRC(Dynamic Range Control)**
- **Optical and Coaxial Digital Output Jacks**
- **RDI-Compatible Optical Output Jack**

## A NOTE ABOUT RECYCLING



This product's packaging materials are recyclable and can be reused. This product and the accessories packed together are the applicable product to the WEEE directive except batteries.

Please dispose of any materials in accordance with your local recycling regulations.

When discarding the unit, comply with your local rules or regulations.

Batteries should never be thrown away or incinerated but disposed of in accordance with your local regulations concerning chemical wastes.

# BEFORE USE

This section must be read before any connection is made to the mains supply.

## ■ EQUIPMENT MAINS WORKING SETTING

Your Marantz product has been prepared to comply with the household power and safety requirements that exist in your area.

ST7001 can be powered by 230V AC only.

## ■ COPYRIGHT

Recording and playback of any material may require consent. For further information refer to the following:

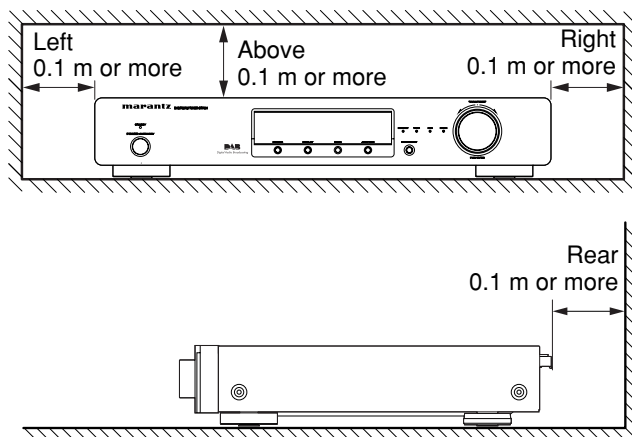
- Copyright Act 1956
- Dramatic and Musical Performers Act 1958
- Performers Protection Acts 1963 and 1972
- Any subsequent statutory enactments and orders

## ■ Do Not Locate in the Following Places

To ensure long-lasting use, do not locate the ST7001 where:

- Exposed to direct sunlight.
- Near to sources of heat such as heaters.
- Highly humid or poorly ventilated.
- Dusty.
- Subjected to mechanical vibrations.
- On wobbly, inclined or otherwise unstable surfaces
- Radiated heat is blocked such as in cramped audio racks.

To ensure proper heat radiation, ensure the below clearance from walls and other equipment.



Noise or disturbance of the picture may be generated if this unit or any other electronic equipment using microprocessors is used near a tuner or TV.

If this happens, take the following steps:

- Install this unit as far as possible from the tuner or TV.
- Set the antenna wires from the tuner or TV away from this unit's mains cord and input/output connection cords.

- Noise or disturbance tends to occur particularly when using indoor antennas or 300  $\Omega$ /ohms feeder wires. We recommend using outdoor antennas and 75  $\Omega$ /ohms coaxial cables.

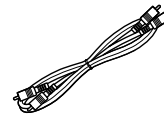
### Note

For heat dispersal, do not install this equipment in a confined space such as a book case or similar unit.

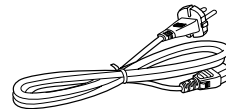
## ■ Accessories Check

Before use, check the below accessories were included in the package.

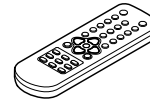
- Audio connecting cord x 1



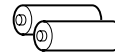
- Mains cord x 1



- Remote control unit (RC7001ST) x 1



- Size "AAA" batteries x 2



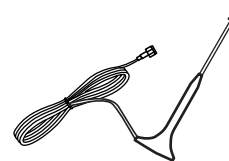
- AM loop antenna x 1



- FM indoor antenna x 1



- DAB indoor antenna x 1

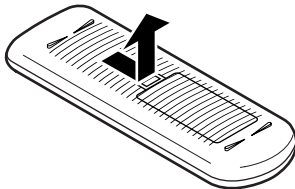


- Remote Control Connecting Cord x 1
- User Guide x 1
- Registration Card x 1

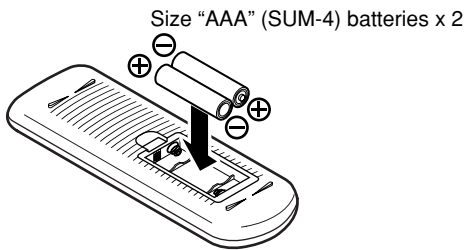
**■ Loading batteries**

Before using the supplied remote control unit for the first time, load the batteries in the remote control unit. The batteries provided are used to verify the operations of the remote control unit only.

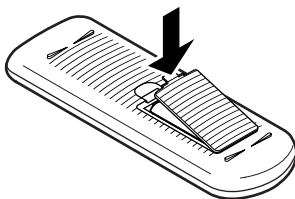
1. Take hold of the tab on the battery cover which is found on the back side of the remote control unit, and pull it up.



2. Take load the two new size “AAA” batteries inside the battery compartment while taking care to align their polarities correctly with the polarity markings (⊕ with ⊕ and ⊖ with ⊖).



3. Push the battery cover down in the direction of the arrow to close it.



**Notes on batteries:**

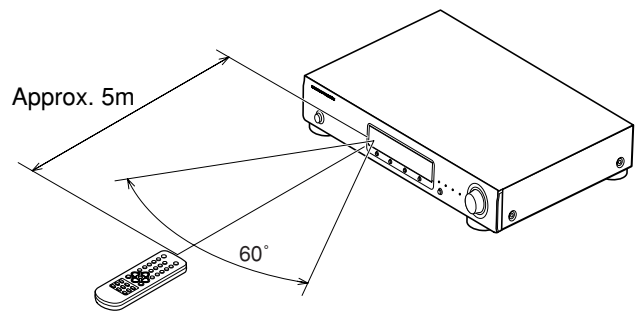
- Replace the batteries with new ones if the set does not operate even when the remote control unit is operated nearby the set. (The included battery is only for verifying operation.)
- To prevent damage or leakage of battery fluid:
  - Do not use a new battery together with an old one.
  - Do not use two different types of batteries.
  - Do not short-circuit, disassemble, heat or dispose of batteries in flames.
- If the battery fluid should leak, carefully wipe the fluid off the inside of the battery compartment and insert new batteries.

**■ Operating range of the remote control unit**

- Point the remote control unit at the remote sensor on the main unit as shown on the diagram.
- The remote control unit can be used from a straight distance of approximately 5 meters from the main unit, but this distance will be shorter if there are obstacles in the way or if the remote control unit is not pointed directly at the remote sensor.
- The remote control unit can be operated at a horizontal angle of up to 30 degrees with respect to the remote sensor.

**Note**

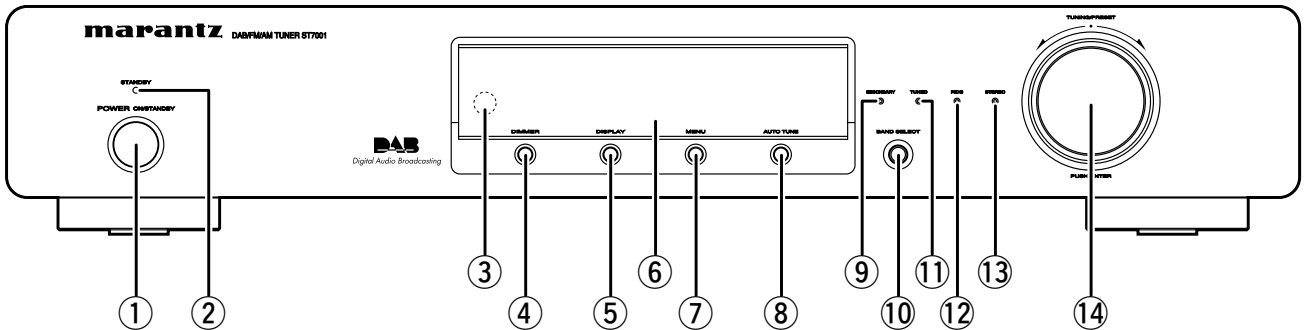
- It may be difficult to operate the remote control unit if the remote sensor is exposed to direct sunlight or strong artificial light.
- Do not press buttons on the main unit and remote control unit simultaneously. Doing so may result in malfunction.
- Neon signs or other devices emitting pulse-type noise nearby may result in malfunction, so keep the set as far away from such devices as possible.



# PART NAMES AND FUNCTIONS

## FRONT PANEL

For details on the functions of these parts, refer to the pages given in parenthesis.



### ① Power ON/STANDBY switch

This is used to turn the unit's power ON and STANDBY. When it is pressed, the display lights and the power is turned on; when it is pressed again, the power is turned off and STANDBY indicator will be illuminated.

### ② STANDBY indicator

This indicator illuminates red when the unit's status is standby.

### ③ Remote control sensor

This sensor receives the infrared light transmitted from the wireless remote control unit. For remote control, point the wireless remote control unit to the sensor. Some of the functions can be operated with the remote control unit (RC7001ST).

### ④ DIMMER button

The display's brightness switches (in three levels) each time this button is pressed.

### ⑤ DISPLAY button

This button is used to select the display mode (☞ page 12, 16, 23).

### ⑥ Display

### ⑦ MENU button

This button to ENTER/EXIT menu mode. The unit times out if no operation is performed for about 5 seconds after the menu mode is set.

### ⑧ AUTO TUNE button

Press to active auto location of all available DAB services. Press once for UK service or hold for longer than 2 seconds to activate an inter national search.

### ⑨ SECONDARY indicator

This indicator illuminates when a secondary service is available (☞ page 19).

### ⑩ BAND SELECT button

This button is used to select DAB, FM or AM.

### ⑪ TUNED indicator

This indicator illuminates when a station is properly tuned in.

### ⑫ RDS indicator

This indicator illuminates when receiving RDS broadcasts, and flashes during the RDS search.

### ⑬ STEREO indicator

This indicator illuminates when an FM station is being tuned into stereo condition.

### ⑭ TUNING/PRESET knob

This knob is used in conjunction with the MENU button, and is used to select and determine the operation mode. Also, this knob is used for the TUNING/PRESET search. In the tuning mode, the reception frequency is tuned up or down. Turning the control in the clockwise direction tunes the frequency up. Tuning the control in the counterclockwise direction tunes the reception frequency down.

In the preset mode, the selection of the preset channel is moved up or down. The auto tuning operation cannot be used when in this mode.

When entering station names, use this control to select the letters (☞ page 17).

### Memo

- Whenever the Power ON/STANDBY switch is in the STANDBY position, the unit is still connected on AC line voltage.

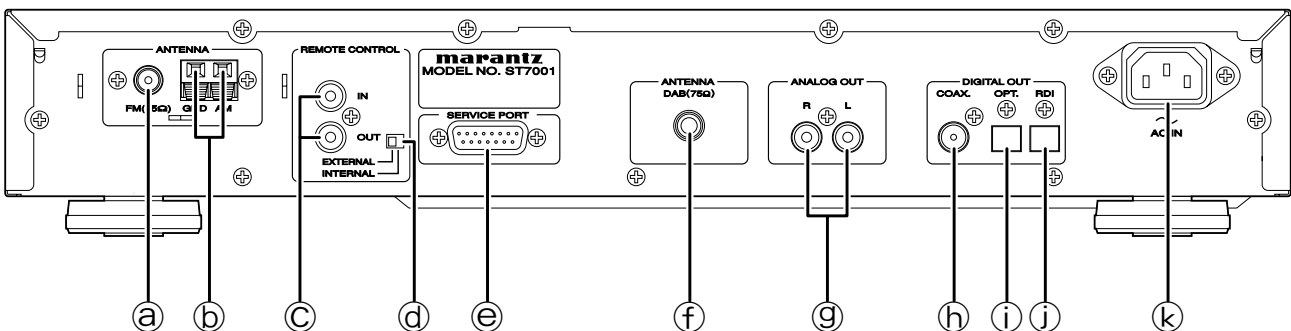
Please be sure to unplug the cord when you leave home for, say, a vacation.

- Noise may be generated if a near-by television set is on during AM, FM or DAB broadcasting reception. The tuner should be used as far away from a television as possible.
- Effective period of memory back-up is about a month under normal temperature.



## PART NAMES AND FUNCTIONS

### REAR PANEL



#### a FM antenna terminal (75 ohms)

Connect an external FM antenna with a coaxial cable, or a cable network FM source.

#### b AM antenna and ground terminals

Connect the supplied AM loop antenna. Use the terminals marked "AM" and "GND". The supplied AM loop antenna will provide good AM reception in most areas. Position the loop antenna until you hear the best reception.

#### c REMOTE CONTROL IN and OUT connectors

Using the supplied remote control connecting cord, these connectors enable this unit to be connected to a Marantz component equipped with remote control connectors. These connections make it possible to control an entire system that centers on the amplifier or other such component.

#### d EXTERNAL/INTERNAL switch

Before the unit was shipped from the factory, this switch was set to INTERNAL to enable the remote sensor built into the unit to be used.

Before using the supplied connecting cord to make the connection between the unit and the remote control connectors on a Marantz equipment, set the switch to EXTERNAL.

#### Note

- Signals cannot be received from the remote control unit if the switch is kept at EXTERNAL when the unit is to be used on its own.

#### e SERVICE PORT

This port is to be used for service purpose. Normally, it is not used.

#### f DAB antenna terminal

Connect an external DAB antenna with a coaxial cable.

#### g ANALOG OUT (analog output) connectors

The audio signals are output from these connectors.

#### h DIGITAL OUT COAX. (digital coaxial output) connector

The audio signals are output digitally from this coaxial output connector.

#### i DIGITAL OUT OPT. (digital optical output) connector

The audio signals are output digitally from this optical output connector.

#### j RDI OUT (digital optical output) connector

The RDI (Receiver Data Interface) optical connector provides access to multiplex data.

This is used for connection to external data or a computer to access services that will likely be added in the future.

These services may not yet be provided in your reception area.

#### k AC INLET

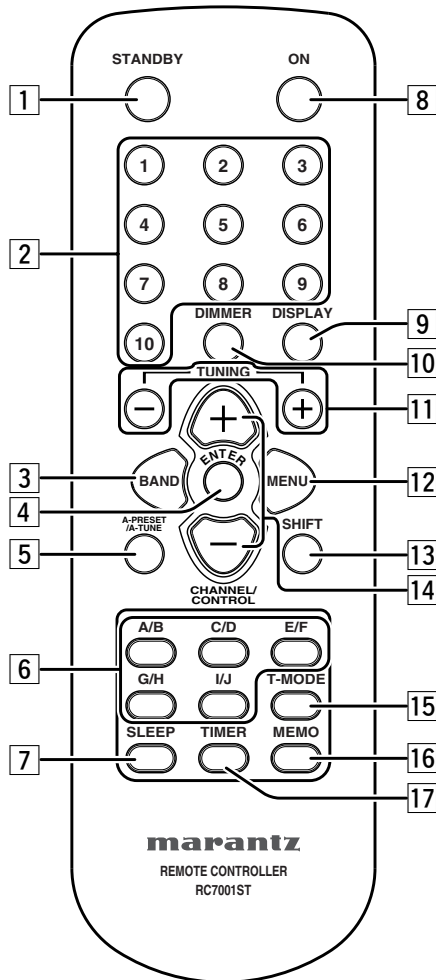
Plug the supplied mains cord into this AC INLET and then into the power outlet on the wall.

ST7001 can be powered by 230V AC only.

## PART NAMES AND FUNCTIONS

## REMOTE CONTROL UNIT

For details on the functions of these parts, refer to the pages given in parenthesis (☞ page 10 ~ 27).

**1 STANDBY button**

Press this button to switch from the operating mode to the standby mode.

**2 Preset channel buttons (1 ~ 10)**

Use these when presenting and recalling stations. Also use these with the SHIFT, MEMORY GROUP button to use a total of 200 preset channels (FM/AM 100, DAB 100), A (1 ~ 10), B (1 ~ 10), ... J (1 ~ 10).

**3 BAND button**

This button is used to select DAB, FM or AM.

**4 ENTER button**

This button is used to set the menu.

**5 A-PRESET/A-TUNE button**

Press this button in the DAB mode to perform a local scan (UK band III). (UK stations are in the range 11B ~ 12D.)

When the button is held in, the full scan operation (Full band and L-band) is conducted.

When pressed in the FM mode, receivable FM stations are automatically stored in the preset memory in order starting from preset channel A1.

**6 MEMORY GROUP buttons (A/B, C/D, E/F, G/H, I/J)**

Use these buttons to switch the preset channel's shift mode directly.

**7 SLEEP button**

This button is used for setting the sleep timer. (☞ page 27)

**8 ON button**

Press this button to switch from the standby mode to the operating mode.

**9 DISPLAY button**

This button is used to select the display mode (☞ page 12, 16, 23).

**10 DIMMER button**

The display's brightness switches (in three levels) each time this button is pressed.

**11 TUNING buttons**

Use these to change the received frequency to a higher frequency (+) or a lower frequency (-).

**12 MENU button**

This button is used to enter/exit menu mode.

**13 SHIFT button**

Use this button to select the memory groups, A (1 ~ 10), B (1 ~ 10), ... J (1 ~ 10).

**14 CHANNEL/CONTROL button**

This button is used to select radio presets or select stations and menu options.

**15 T-MODE button**

Selects the stereo mode or mono mode when a FM stereo broadcast is received. (☞ page 10)

**16 MEMO button**

Frequencies and station names can be stored in the memory. When this button is pressed, the "MEMO" and "CH" indicator on the display flashes for 10 seconds. Use the SHIFT button and the Preset channel buttons during this time to designate the desired preset channel.

**17 TIMER button**

This button is used to enter the timer program mode. Clock setup mode can be entered by holding down this button for 3 seconds or more. Please refer to page 25 for TIMER program operation.

## Remote control code setting

The remote control unit contains 3 sets of remote control codes, and it can be used to control up to 3 tuners in one location. To control a second or third tuner, select the remote control code as explained below. The selected tuner can be operated from the remote control.

- When the unit is shipped from the factory, the main unit and remote control are set to TUNER1.

### 1. TUNER2

To set the remote control to TUNER2, hold down both the **SHIFT** button [13] and **2** number button [2] on the remote control for at least five seconds.

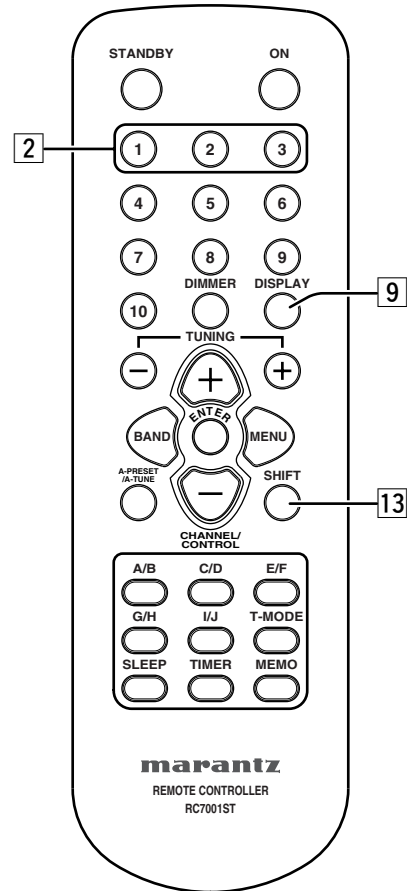
### TUNER3

To set the remote control to TUNER3, hold down both the **SHIFT** button [13] and **3** number button [3] on the remote control for at least five seconds.

- Also set the main unit's remote control setting to the same setting as the remote control.
- To change main unit's remote control setting, hold down both the **SHIFT** [13] and **DISPLAY** [9] buttons on the remote control; the remote control setting ("TUNER1", "TUNER2" or "TUNER3") will be displayed in the display window on the main unit and main unit setting will be changed same setting as remote control.

### Note

- To set the remote control back to TUNER1, hold down both the **SHIFT** button [13] and **1** number button [2] on the remote control for at least five seconds.
- If the batteries in the remote control are replaced while the remote control is set to TUNER2 or TUNER3, the setting will revert to TUNER1.
- If the main unit is unplugged the mains cord, the remote control setting will revert to TUNER1.



# CONNECTIONS

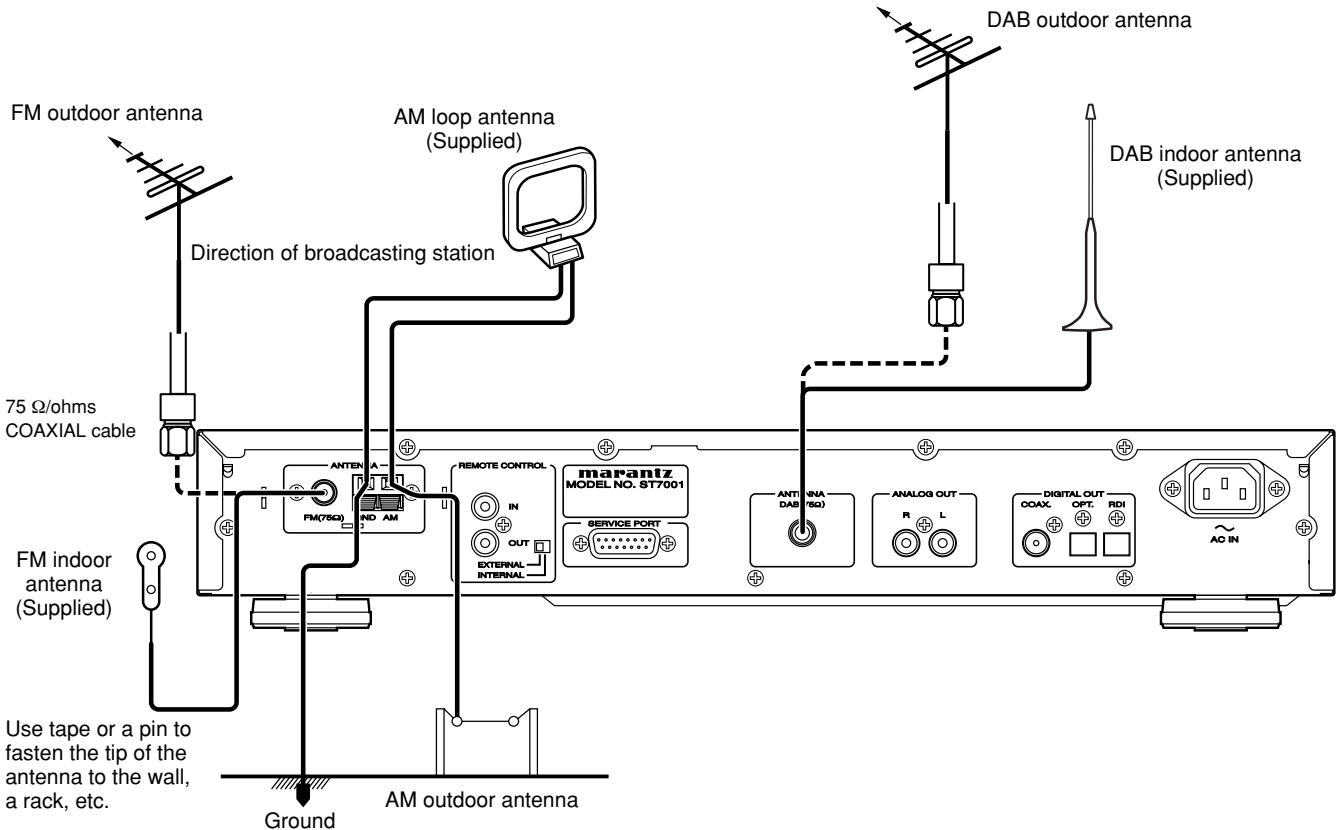
## CONNECTING THE ANTENNA TERMINALS

### ■ Connecting a DAB outdoor antenna

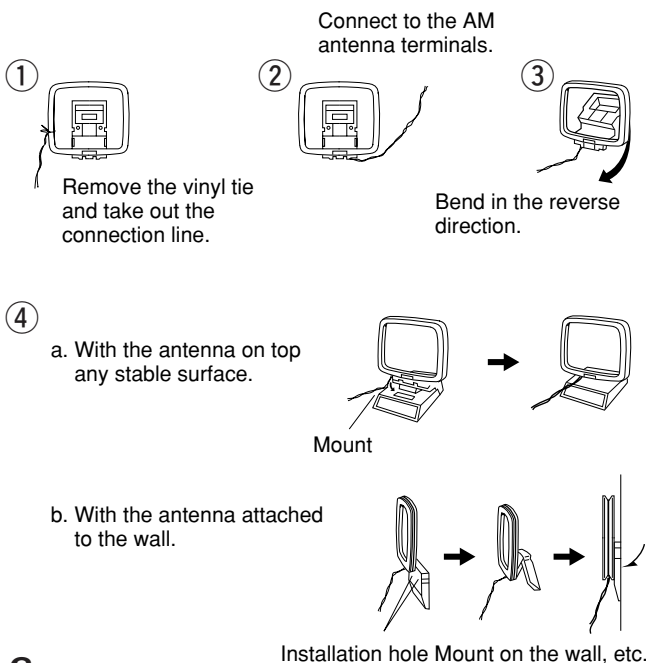
- If good reception cannot be achieved with the included DAB indoor antenna, use a DAB outdoor antenna. Connect an F male type connector to the coaxial cable and connect the antenna to the DAB COAX 75 Ω/ohms terminal.

### ■ Installing the DAB indoor antenna

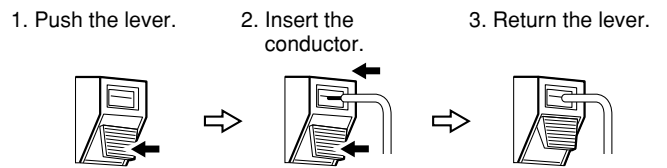
- ① DAB station reception (☞ page 18).
- ② Use “Tuning aid” to set position at which reception sensitivity is optimum (☞ page 21).



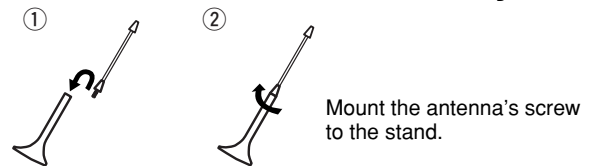
### ■ AM loop antenna assembly



### ■ Connection of AM antennas



### ■ DAB indoor antenna assembly



#### Note

- Do not connect two FM antennas simultaneously.
- Even if an external AM antenna is used, do not disconnect the AM loop antenna.
- Make sure AM loop antenna lead terminals do not touch metal parts of the panel.
- There is a magnetic on the bottom surface of the DAB indoor antenna. Keep it away from monitors, etc.

## CONNECTIONS

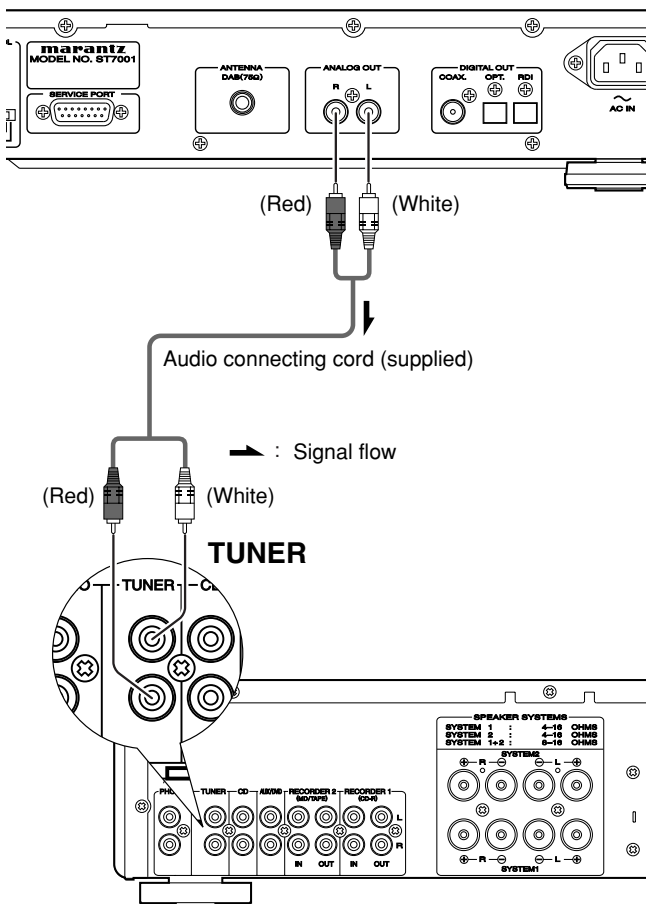
### CONNECTING THE AMPLIFIER

#### Note

- If you want to enjoy listening to the digital output audio of the DAB, connect to an amplifier outfitted with a digital optical or coaxial input.
- Do not plug in the mains cord until all connections have been completed.
- When making connections, also refer to the operating instructions of the other components.
- Be sure to connect the left and right channels properly (left with left, right with right).
- Note that binding pin-plug cords together with mains cords or placing them near a power transformer will result in generating hum or other noise.

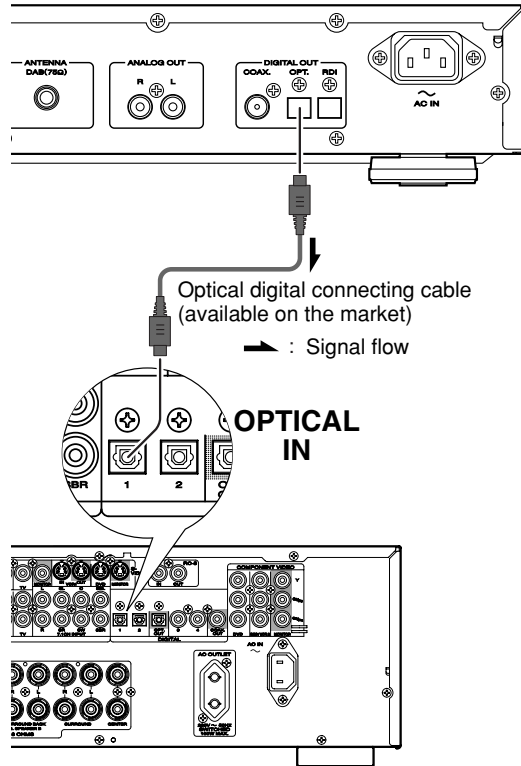
#### ■ Connecting the analog output connector

Use the audio connecting cord to connect the unit with a stereo amplifier or AV amplifier. Do not connect the unit to the PHONO input connectors on the amplifier. When making the connections, insert the plugs securely into the connectors. Failure to insert the plugs securely may result in noise.



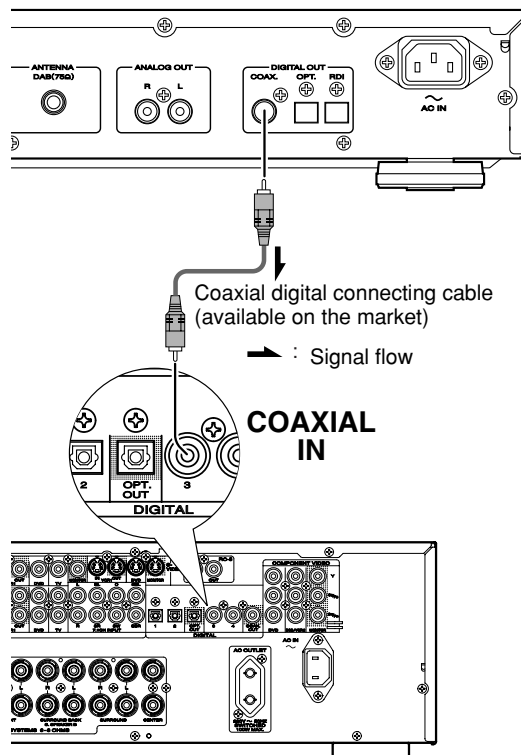
#### ■ Connecting the optical output connector

Use an optical digital connecting cable available on the market. Insert the plug firmly in until it clicks into place. Do not bend or bundle the optical digital connecting cable.



#### ■ Connecting the coaxial output connector

Use a coaxial digital connecting cable available on the market.

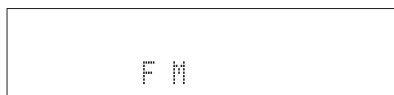


# OPERATION

## LISTENING TO FM/AM

### ■ FM Auto preset memory

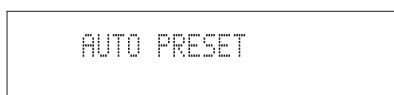
1. Press the **POWER ON/STANDBY** switch ① or **ON** button ⑧ to turn on the power.
2. Watching the display, press the **BAND** button ③ to select the FM band.



3. Press the **A-PRESET/A-TUNE** button ⑤.



4. Press the **ENTER** button ④.
  - The unit automatically begins searching for FM broadcast stations.



- When the first FM broadcast station is found, that station is stored in the preset memory at channel A1.
- Subsequent stations are automatically stored in order at preset channels A1 to A10, B1 to B10, C1 to C10, D1 to D10, E1 to E10, F1 to F10, G1 to G10, H1 to H10, I1 to I10 and J1 to J10 for a maximum of 100 stations.
- Channel A1 is tuned in after the auto preset memory operation is completed.

#### Note

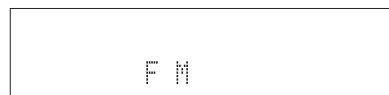
- If an FM station cannot be preset automatically due to poor reception, use the “Manual tuning” operation to tune in the station, then preset it using the manual “Preset memory” operation.
- To interrupt this function, press the **POWER ON/STANDBY** switch ① or **STANDBY** button ①.
- Do not operate with the **AUTO TUNE** button ⑧ on the front panel.
- Perform this operation from the remote control unit.

### ■ DEFAULT VALUE

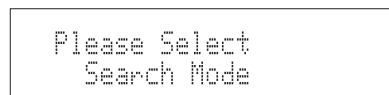
Auto tuner presets	
A1 ~ A10	87.5 / 89.1 / 98.1 / 108 / 90.1 / 90.1 / 90.1 / 90.1 / 90.1 / 90.1 MHz
B1 ~ B10	522 / 603 / 999 / 1404 / 1611 kHz, 90.1 / 90.1 / 90.1 / 90.1 / 90.1 MHz
C1 ~ C10	90.1 MHz
D1 ~ D10	90.1 MHz
E1 ~ E10	90.1 MHz
F1 ~ F10	90.1 MHz
G1 ~ G10	90.1 MHz
H1 ~ H10	90.1 MHz
I1 ~ I10	90.1 MHz
J1 ~ J10	90.1 MHz

### ■ Auto tuning (FM/AM)

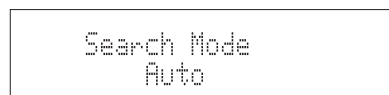
1. Press the **POWER ON/STANDBY** switch ① or **ON** button ⑧ to turn on the power.
2. Watching the display, press the **BAND** button ③ to select the desired band (AM or FM).



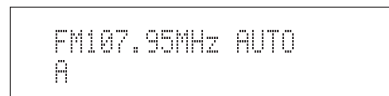
3. Press the **MENU** button ⑦ or ⑫ to select menu.



4. Press the **TUNING/PRESET** knob ⑭ or **ENTER** button ④ to set search mode.
5. Either turn the **TUNING/PRESET** knob ⑭ or press the **CHANNEL/CONTROL** button ⑭ to select “Auto”.



6. Press the **TUNING/PRESET** knob ⑭ or **ENTER** button ④ to set the auto tuning mode.



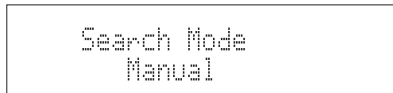
7. Either turn the **TUNING/PRESET** knob ⑭ or press the **TUNING** button ⑪.
  - Automatic searching begins, then stops when a station tuned in.

#### Note

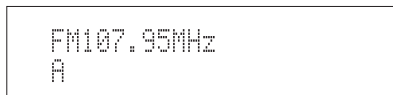
- When in the auto tuning mode on the FM band, the “STEREO” indicator lights on the panel when the stereo broadcast is tuned in. At open frequencies, the noise is muted and the “TUNED” and “STEREO” indicators tuned off.
- If the signal is weak, it may be difficult to tune into the station in stereo. In such a case, press the **T-MODE** button ⑮ on the remote control. FM stereo broadcasts are received in monaural and the stereo indicator is not illuminated. To return to stereo mode, press the **T-MODE** button ⑮ on the remote control again.
- If tuning does not stop at the desired station. Use “Manual tuning” operation.

## Manual tuning (FM/AM)

1. Press the **POWER ON/STANDBY** switch ① or **ON** button ⑧ to turn on the power.
2. Watching the display, press the **BAND** button ③ to select the desired band (AM or FM).
3. Press the **MENU** button ⑦ or ⑫ to select menu.
4. Press the **TUNING/PRESET** knob ⑭ or **ENTER** button ④ to set search mode.
5. Either turn the **TUNING/PRESET** knob ⑭ or press the **CHANNEL/CONTROL** button ⑭ to select "Manual".



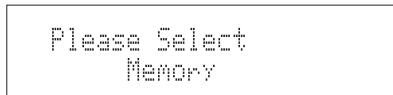
6. Press the **TUNING/PRESET** knob ⑭ or **ENTER** button ④ to set the manual tuning mode.



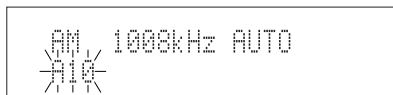
7. Either turn the **TUNING/PRESET** knob ⑭ or press the **TUNING** button ⑪ to tune in the desired station.
  - The frequency changes continuously when the **TUNING** button ⑪ on the remote control unit is held in.

## Preset stations (FM/AM)

1. Use the "Auto tuning" or "Manual tuning" operation to tune in the station to be preset in the memory.
2. Press the **MENU** button ⑦ or ⑫ to select menu.
3. Either turn the **TUNING/PRESET** knob ⑭ or press the **CHANNEL/CONTROL** button ⑭ to select "Memory".

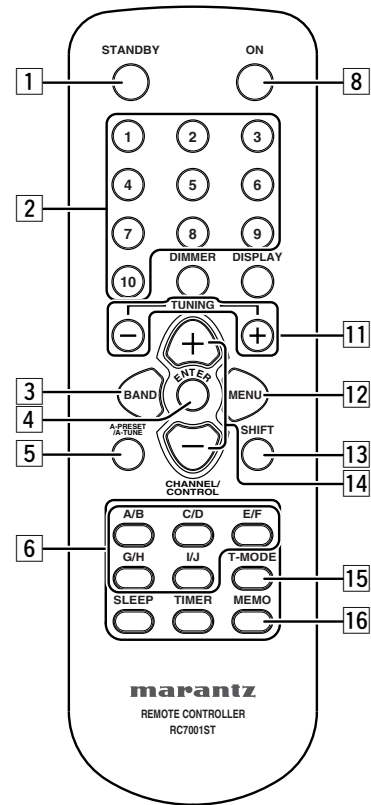
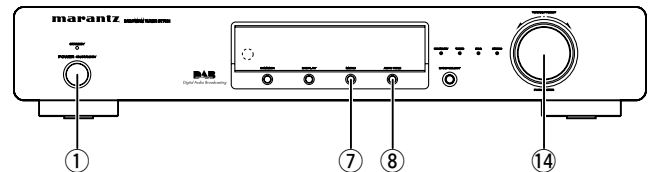


4. Press the **TUNING/PRESET** knob ⑭, or **ENTER** button ④ to set the preset mode and make the preset channel number flash.



- Steps 1 to 4 can be skipped when using the **MEMO** ⑯ button.  
When this button is pressed, the preset memory standby mode is set, regardless of the menu setting at that time.
5. While the preset channel number is flashing, either press the **SHIFT** button ⑬ to select the desired memory group (A to J) or press a **MEMORY GROUP** (A to J) button ⑥.
  6. While the preset channel number is flashing, either turn the **TUNING/PRESET** knob ⑭, press the **CHANNEL/CONTROL** ⑭ or **Preset channel** button ② to select the desired preset channel (1 to 10).

7. While the preset channel number is flashing, either press the **TUNING/PRESET** knob ⑭ or **MEMO** button ⑯ to store the station in the preset memory.
  - To preset other channels, repeat steps 2 to 6.
  - A total of 100 broadcast stations can be preset — 10 stations (channels 1 to 10) in each of groups A to J.





## OPERATION

## ■ Recalling preset stations (FM/AM)

1. Press the **POWER ON/STANDBY** switch ① or **ON** button ⑧ to turn on the power.
2. Watching the display, press the **BAND** button ③ to select the desired band (AM or FM).
3. Press the **MENU** button ⑦ or ⑫ to select menu.

Please Select  
Search Mode

4. Press the **TUNING/PRESET** knob ⑭ or **ENTER** button ④ to set search mode.
5. Either turn the **TUNING/PRESET** knob ⑭ or press the **CHANNEL/CONTROL** button ⑭ to select "Preset".

Search Mode  
Preset

6. Press the **TUNING/PRESET** knob ⑭ or **ENTER** ④ button and set the preset mode.

FM107.55MHz AUTO  
A1

- 7<sup>-1</sup>. Watching the display, turn the **TUNING/ PRESET** knob ⑭, or press the **CHANNEL/CONTROL** button ⑭ to select the desired preset channel.
- 7<sup>-2</sup>. Press the **SHIFT** button ⑬ and select the desired memory group (A to J) or press the **MEMORY GROUP** (A to J) button ⑥.
- 7<sup>-3</sup>. Press the **Preset channel** button ② to select the desired preset channel (1 to 10).

### Note

- Steps 2 to 6 can be skipped when using the **CHANNEL/CONTROL** ⑭, **SHIFT** ⑬, **MEMORY GROUP** (A to J) ⑥ and **Preset channel** ② buttons. The preset mode is set when any of these buttons is pressed, regardless of the menu setting at that time.

## ■ RDS (Radio Data System)

- RDS (works only on the FM band) is a broadcasting service which allows station to send additional information along with the regular radio program signal.
- The following three types of RDS information can be received on this unit:

### • Program Type (PTY)

- PTY identifies the type of RDS program.
- The program types and their displays are as follows:

<b>NEWS</b>	News	<b>OTHER M</b>	Other Music
<b>AFFAIRS</b>	Current Affairs	<b>WEATHER</b>	Weather
<b>INFO</b>	Information	<b>FINANCE</b>	Finance
<b>SPORT</b>	Sports	<b>CHILDREN</b>	Children's Programs
<b>EDUCATE</b>	Education	<b>SOCIAL</b>	Social Affairs
<b>DRAMA</b>	Drama	<b>RELIGION</b>	Religion
<b>CULTURE</b>	Culture	<b>PHONE IN</b>	Phone In
<b>SCIENCE</b>	Science	<b>TRAVEL</b>	Travel
<b>VARIED</b>	Varied	<b>LEISURE</b>	Leisure
<b>POP M</b>	Pop Music	<b>JAZZ</b>	Jazz Music
<b>ROCK M</b>	Rock Music	<b>COUNTRY</b>	Country Music
<b>EASY M</b>	Easy Listening Music	<b>NATION M</b>	National Music
<b>LIGHT M</b>	Light Classical	<b>OLDIES</b>	Oldies Music
<b>CLASSICS</b>	Serious Classical	<b>FOLK M</b>	Folk Music
		<b>DOCUMENT</b>	Documentary

### • Traffic Program (TP)

- TP identifies programs that carry traffic announcements.
- This allows you to easily find out the latest traffic conditions in your area before you leaving home.

### • Radio Text (RT)

- RT allows the RDS station to send text messages that appear on the display.

### Note

- The operations described below pressing the **DISPLAY** button ⑤ or ⑨ will not function in areas in which there are no RDS broadcasts.



## OPERATION

### ■ RDS search

Use this function to automatically tune to FM stations that provide RDS service.

1. Press the **MENU** button ⑦ or ⑫ to select menu.

Please Select  
Search Mode

2. Either turn the **TUNING/PRESET** knob ⑭ or press the **CHANNEL/CONTROL** button ⑭ to display "RDS".

Please Select  
RDS

3. Press the **TUNING/PRESET** knob ⑭ or **ENTER** button ④ to set the RDS search selection mode.
4. Either turn the **TUNING/PRESET** knob ⑭ or press the **CHANNEL/CONTROL** button ⑭ to display "RDS Search".

RDS Search

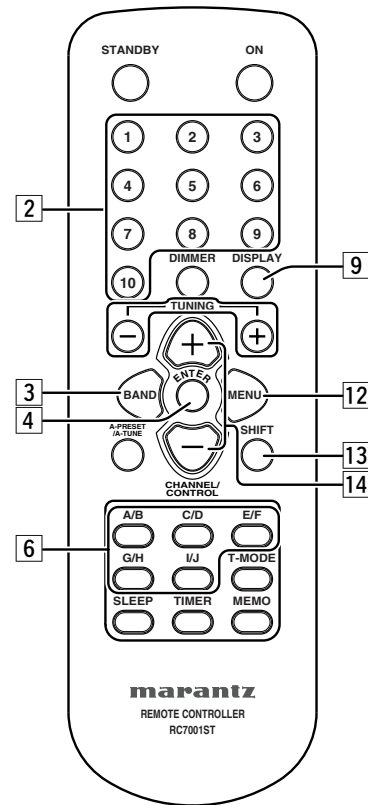
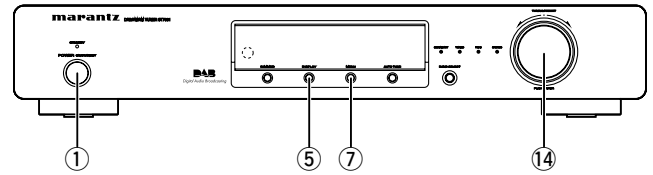
5. Press the **TUNING/PRESET** knob ⑭ or **ENTER** ④ button to set the RDS search standby mode.

<Search Start>

6. Either turn the **TUNING/PRESET** knob ⑭ or press the **CHANNEL/CONTROL** button ⑭. The RDS search automatically begins and the RDS LED flashes.
  - If no RDS station is found with above operation, all the reception band are searched.
  - When the broadcast station is found, that station's name appears on the display.

7.   
NO RDS


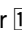






- If no other RDS station is found when all the frequencies are searched, "NO RDS" is displayed.



## OPERATION





## ■ PTY search

- Use this function to find RDS stations broadcasting a designated program type (PTY).
- For a description of each program type, refer to “Program Type (PTY)”.

1. Press the **MENU** button  or  to select menu.
2. Either turn the **TUNING/PRESET** knob  or press the **CHANNEL/CONTROL** button  to display “RDS”.
3. Press the **TUNING/PRESET** knob  or **ENTER** button  to set the RDS search selection mode.
4. Either turn the **TUNING/PRESET** knob  or press the **CHANNEL/CONTROL** button  to display “PTY Search”.





PTY Search

5. Press the **TUNING/PRESET** knob  or **ENTER** button  to set the PTY search selection mode.
6. Watching the display, either turn the **TUNING/ PRESET** knob  or press **CHANNEL/CONTROL** button  to call out the desired program type.





PTY NEWS

- When receiving an RDS station, its program type is displayed first.
- When not receiving an RDS station, “PTY” flashes.

7. Press the **TUNING/PRESET** knob  or **ENTER** button  to set the PTY search standby mode.



<Search Start>

8. Either turn the **TUNING/PRESET** knob  or press the **CHANNEL/CONTROL** button . The RDS search automatically begins and the RDS LED flashes.
  - If there is no station broadcasting the designated program type above operation, all the reception bands are searched.
  - The station name is displayed on the display after searching stops.











No Programme

- If no other station broadcasting the designated program type is found when all the frequencies are searched, “NO programme” is displayed.

## ■ TP search

Use this function to find RDS stations broadcasting traffic program (TP).

1. Press the **MENU** button  or  to select menu.
2. Either turn the **TUNING/PRESET** knob  or press the **CHANNEL/CONTROL** button  to display “RDS”.
3. Press the **TUNING/PRESET** knob  or **ENTER** button  to set the RDS search selection mode.
4. Either turn the **TUNING/PRESET** knob  or press the **CHANNEL/CONTROL** button  to display “TP Search”.





TP Search

5. Press the **TUNING/PRESET** knob  or **ENTER** button  to set the TP search standby mode.



<Search Start>

6. Either turn the **TUNING/PRESET** knob  or press the **CHANNEL/CONTROL** button . The RDS search automatically begins and the RDS LED flashes.
  - If no TP station is found with above operation, all the reception bands are searched.
  - The station name is displayed on the display after searching stops.



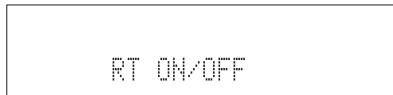
No Programme

7.
  - If no other TP station is found when all the frequencies are searched, “NO programme” is displayed.

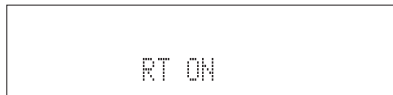
## OPERATION

### ■ RT (Radio Text)

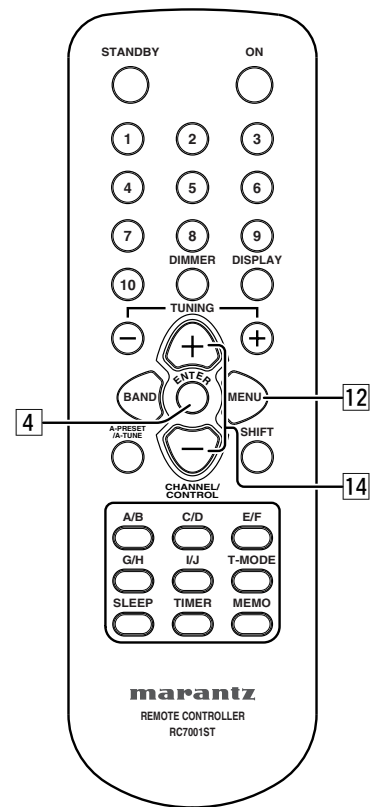
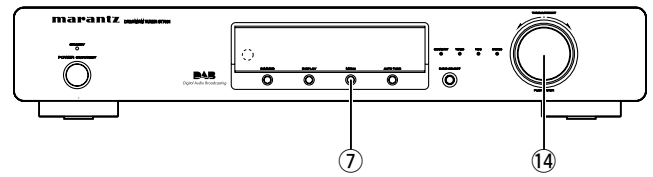
1. Press the **MENU** button ⑦ or ⑫ to select menu.
2. Either turn the **TUNING/PRESET** knob ⑭ or press the **CHANNEL/CONTROL** button ④ to display "RDS".
3. Press the **TUNING/PRESET** knob ⑭ or **ENTER** button ④ to set the RDS search selection mode.
4. Either turn the **TUNING/PRESET** knob ⑭ or press the **CHANNEL/CONTROL** button ④ to display "RT ON/OFF".



5. Press the **TUNING/PRESET** knob ⑭ or **ENTER** button ④ to set the RT ON/OFF selection mode.
6. Either turn the **TUNING/PRESET** knob ⑭, press the **CHANNEL/CONTROL** button ④ to choose the "RT ON" or "RT OFF".



7. Press the **TUNING/PRESET** knob ⑭ or **ENTER** button ④ to set whether to enable or stop the RADIO TEXT function.
  - If no text data is being broadcast, "NO TEXT DATA" is displayed.



## OPERATION

## ■ CT (Clock Time)

- You can set clock time automatically by using the RDS stations broadcasting Clock Time (CT) information.

This unit picks CT information up and automatically resets itself, when you set "CT ON".

- Press the **MENU** button **7** or **12** to select menu.
- Either turn the **TUNING/PRESET** knob **14** or press the **CHANNEL/CONTROL** button **14** to display "RDS".
- Press the **TUNING/PRESET** knob **14** or **ENTER** button **4** to set the RDS search selection mode.
- Either turn the **TUNING/PRESET** knob **14** or press the **CHANNEL/CONTROL** button **14** to display "CT ON/OFF".

```
CT ON / OFF
```

- Press the **TUNING/PRESET** knob **14** or **ENTER** button **4** to set the CT ON/OFF selection mode.
- Either turn the **TUNING/PRESET** knob **14**, press the **CHANNEL/CONTROL** button **14** to choose the "CT ON" or "CT OFF".

```
CT ON
```

- Press the **TUNING/PRESET** knob **14** or **ENTER** button **4** to set whether enable or stop the CT function.
  - If you live close to the border with another country, the CT information may have been taken from a radio station in another time zone. In this case you should select "CT OFF". In this mode, although "CT" data are entered, the time is not changed to the current time.

## ■ Switching RDS information display

- Use the procedure described at "Auto tuning", "Manual tuning" or "Recalling preset stations" to tune in a frequency with an RDS station.
- Press the **DISPLAY** button **5** or **9** to switch the RDS reception information.
  - The display switches as shown below each time the **DISPLAY** button **5** or **9** is pressed.

### ① STATION NAME:

Only displayed when the search mode is set to PRESET and the station name has been registered.

```
FM105.70MHz AUTO
A10 MARANTZ
```

### ② PS:

The program service name and frequency of the station tuned in is displayed.

```
FM105.70MHz AUTO
A10 ABCDEFGH TP
```

The above is an example for when there is TP data but no RT data.

### ③ PTY:

The program type of the tuned in broadcast is displayed.

```
FM105.70MHz AUTO
PTY NEWS
```

### ④ CT:

The current time is displayed.

```
FM105.70MHz AUTO
15:10
```

- When the "STATION NAME" is not registered, ① is not displayed.

## ■ Registering station names (FM/AM only)

- Use the procedure described at "Auto tuning", "Manual tuning" or "Recalling preset stations" to tune in the desired frequency.
 

**Example:** To register "MARANTZ" as the FM station name at preset channel "A2".
- Press the **MENU** button **7** or **12** to select menu.

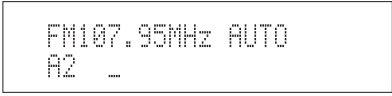
```
Please Select
Search Mode
```

- Either turn the **TUNING/PRESET** knob **14** or press the **CHANNEL/CONTROL** button **14** to display "Station Name".

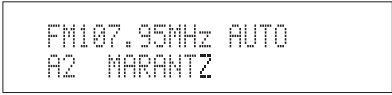
```
Please Select
Station Name
```

## OPERATION

4. Press the **TUNING/PRESET** knob ⑭ or **ENTER** button ④ to display the Station Name setting.

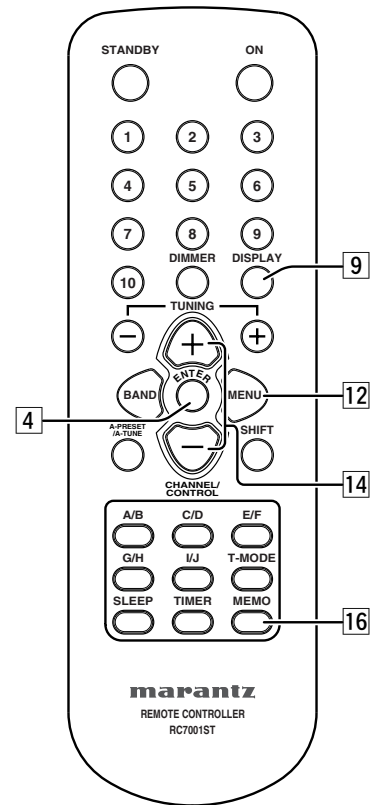
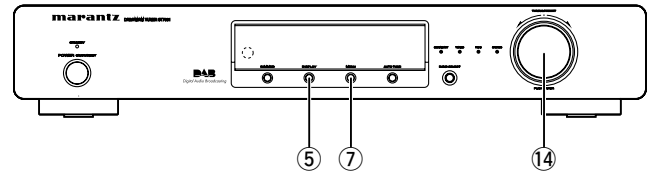


5. While “\_” is flashing, either turn the **TUNING/PRESET** knob ⑭ or press the **CHANNEL/CONTROL** button ⑭ to display “M”.
6. The “\_” moves to the right when the **TUNING/PRESET** knob ⑭ or **ENTER** button ④ is pressed. Use the same procedure to display “A”, “R”, “A”, “N”, “T”, and “Z”, in that order.



7. Press the **TUNING/PRESET** knob ⑭ or **ENTER** button ④ for at least 2 seconds.
- The station name is set.
8. Then “A2” blinks, either press the **TUNING/PRESET** knob ⑭ or **MEMO** button ⑩ to store the station name in the preset memory.
- This procedure can be used to registered station names with up to 8 digits for up to 100 AM/FM stations at random.
  - The 63 characters below can be selected.

A B C D E F G H I J K L M N O P Q R S T U V W X  
 Y Z 0 1 2 3 4 5 6 7 8 9 [ \ ] ^ \_ ! # “ \$ % & ’ ( ) \* + ,  
 - . / : ; < = > ? (space)



**OPERATION**

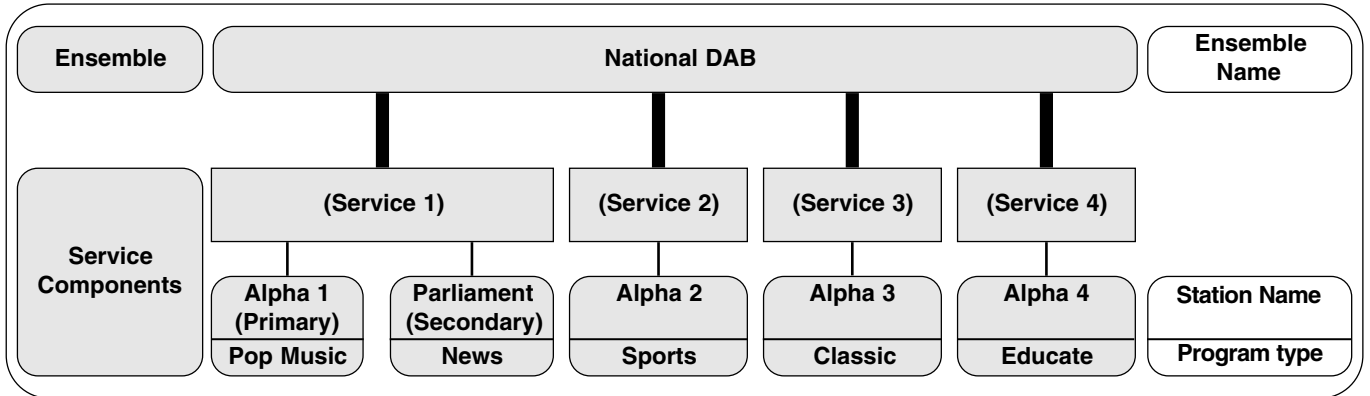
**LISTENING TO DAB BROADCAST**

**■ About DAB (Digital Audio Broadcasting)**

- Since the DAB system is broadcasted in digital format, DAB system can supply crystal-clear audio and stable reception even in mobile objects. DAB is a new generation radio which can provide data service and supplementary multi-media services.
- DAB broadcasts multiple services under one Ensemble that are called service components.
- Each component contains inherent programs; news, music, sports, and many more.
- Each Ensemble and service component has its label, and users can recognize a current broadcasting station and service contents by using the label.
- The main service component is broadcast as Primary while the others are broadcast as Secondary.
- Also rich character information is serviced through Dynamic Labels; song title, artist composer etc.

**DAB Service Diagram**

DAB Signal

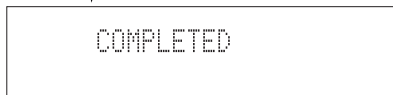
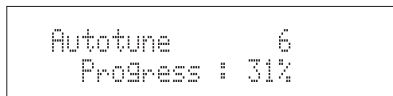


## Tuning in DAB (Digital Audio Broadcasting) broadcasts

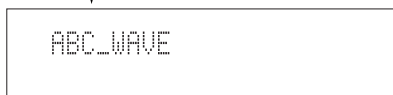
1. Press the **POWER ON/STANDBY** switch ① or **ON** button ⑧ to turn on the power.
2. Watching the display, press the **BAND** button ③ to select the desired band (DAB).



3. Watching the display, press the **AUTO TUNE** ⑧ or **A-PRESET/A-TUNE** button ⑤ to start automatically scanning.



Tune in the first broadcast station.



### Using the DAB for the first time

When you first switch on the unit and select DAB, the Auto Tuning function scans the Band III and L-band frequencies. After the scanning, the first scanned component will be selected.

To listen to other stations, use one of the search modes shown below.

Press the **AUTO TUNE** button ⑧ or **A-PRESET/A-TUNE** button ⑤ and release it in less than 2 seconds to perform a local scan (UK band III).

(UK stations are in the range 11B to 12D).

Press the button for over 2 seconds then release it to perform the full scan operation (Full band III and L-band: 5A to LW).

Once auto scanning is completed, the number of broadcast stations is displayed, then the first station is tuned in.

If "Station not available" is displayed, check the antenna's connection (page 8).

You may want to re-tune at a later date if you move the ST7001 or if you want to receive a newly introduced ensemble.

Press the **AUTO TUNE** button ⑧ or **A-PRESET/A-TUNE** button ⑤.

4. Either turn the **TUNING/PRESET** knob ⑭ or press the **CHANNEL/CONTROL** button ⑭ to select the station.

- If the station you select is in stereo, the "STEREO" indicator will light up.

### About Secondary service

When receiving a Secondary service, "<< >>" are indicated to the right of "Channel and Frequency".

When either the **TUNING/PRESET** knob ⑭ or **ENTER** button ④ is pressed, the Secondary service Component is received and the Secondary indicator lights.

Press **TUNING/PRESET** knob ⑭ or **ENTER** button ④ to go back to the Primary service again.

5. Press the **TUNING/PRESET** knob ⑭ or **ENTER** button ④ to listen to the selected station.
  - After "Now tuning..." is displayed, the tuned in station appears.

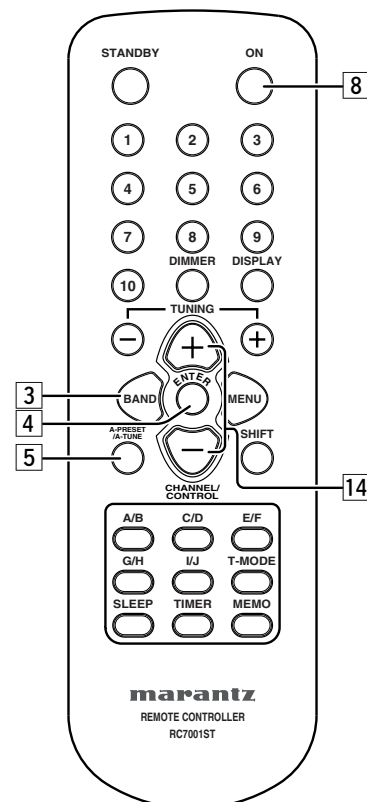
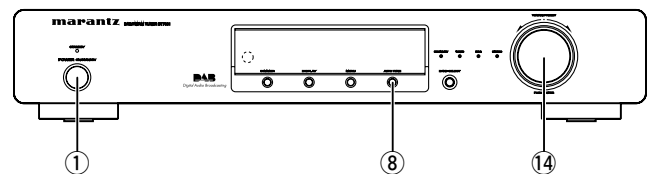
## Preset stations

1. Follow steps 1 to 4 under "Tuning in DAB (Digital Audio Broadcasting) broadcasts" to tune in the station to be preset.
2. Perform steps 2 to 7 under "Preset Stations (FM/AM)".
  - Up to 100 "S. Component" can be preset (DAB alone).

## Recalling preset stations

The same procedure as for FM/AM stations. (page 12)

1. Perform steps 1 to 7 under "Preset stations (FM/AM)" (page 12)
2. Press the **TUNING/PRESET** knob ⑭ or **ENTER** button ④ to listen to the selected station.
  - After "Now tuning..." is displayed, the tuned in station appears.



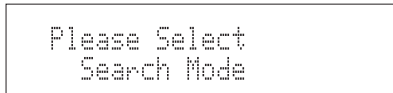
OPERATION

SEARCH MODE

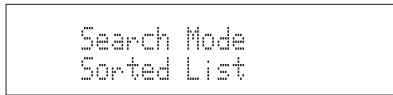
Sorted list search mode

- You can select any component for listening from the list of sorted components.
- The sorted components are set in the sort mode. (page 22)

- Press the **MENU** ⑦ or ⑫ button to select menu.
- Either turn the **TUNING/PRESET** knob ⑭ or press the **CHANNEL/CONTROL** button ⑭ to display the search mode selection screen.



- Press the **TUNING/PRESET** knob ⑭ or **ENTER** button ④ to set the search mode.
- Either turn the **TUNING/PRESET** knob ⑭ or press the **CHANNEL/CONTROL** button ⑭ to select "Search Mode (Sorted List)".



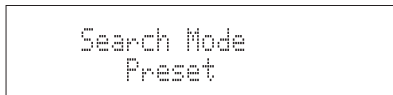
- Press the **TUNING/PRESET** knob ⑭ or **ENTER** button ④ to display the first channel on the Sorted List.



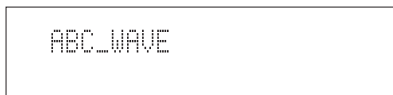
- You can select any component from the sorted list.

Preset search mode

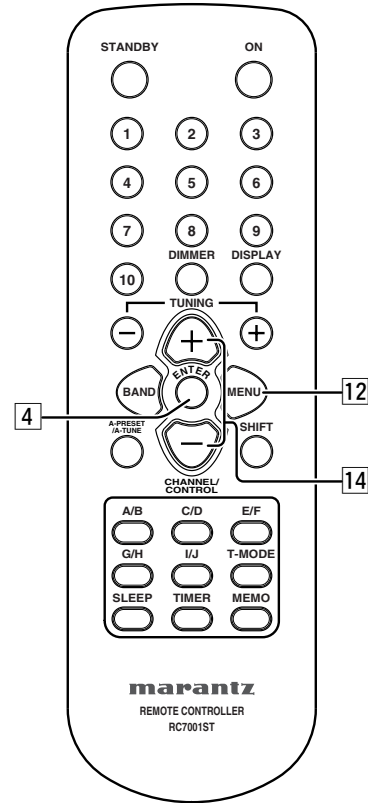
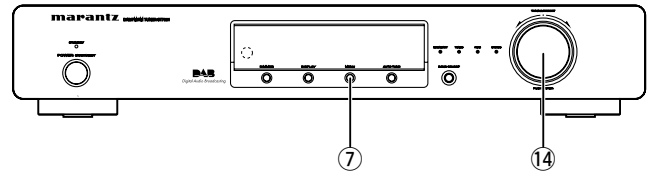
- Press the **MENU** button ⑦ or ⑫ to select menu.
- Either turn the **TUNING/PRESET** knob ⑭ or press the **CHANNEL/CONTROL** button ⑭ to display the search mode selection screen.
- Press the **TUNING/PRESET** knob ⑭ or **ENTER** button ④ to set the search mode.
- Either turn the **TUNING/PRESET** knob ⑭ or press the **CHANNEL/CONTROL** button ⑭ to select "Search Mode (Preset)".



- Press the **TUNING/PRESET** knob ⑭ or **ENTER** button ④ to display the first channel at Preset.



- You can select any component from the preset.





## OPERATION

### ■ Tuning aid

1. Press the **MENU** button ⑦ or ⑫ to select menu.
2. Either turn the **TUNING/PRESET** knob ⑭ or press the **CHANNEL/CONTROL** button ⑭ to display the search mode selection screen.

```
Please Select
Search Mode
```

3. Press the **TUNING/PRESET** knob ⑭ or **ENTER** button ④ to set the search mode.
4. Either turn the **TUNING/PRESET** knob ⑭ or press the **CHANNEL/CONTROL** button ⑭ to select "Search Mode (Tuning aid)".

```
Search Mode
Tuning aid
```

5. Press the **TUNING/PRESET** knob ⑭ or **ENTER** button ④ to display the first channel at Tuning aid.

```
< 5A 174.92MHz >
```

6. Either turn the **TUNING/PRESET** knob ⑭ or press the **CHANNEL/CONTROL** button ⑭ to display the frequency of the ensemble that you want to receive.

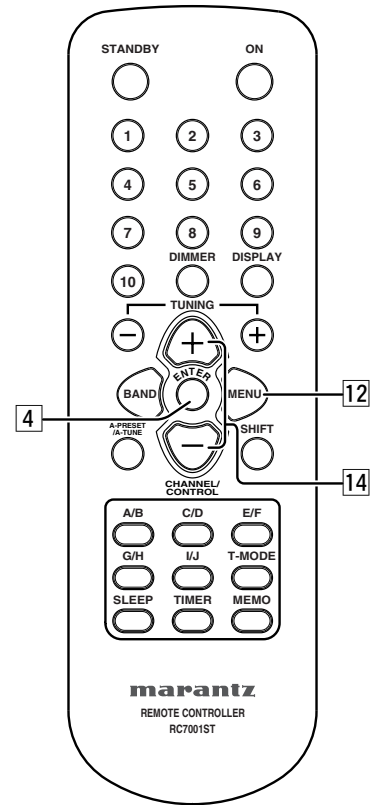
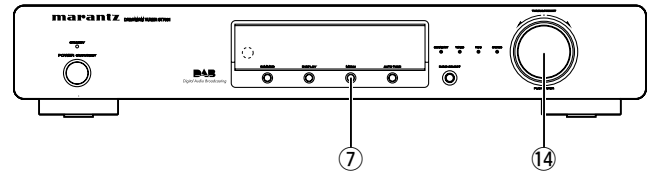
```
< 11D 222.06MHz >
```

7. Press the **TUNING/PRESET** knob ⑭ or **ENTER** button ④ to display the signal strength for that ensemble.
  - Move antenna while watching the display and to try to raise the current level to the ">" mark.

```
>>>>>>>>>>
11D 222.06MHz
```

8. Press the **TUNING/PRESET** knob ⑭ or **ENTER** button ④ to display the first channel on this ensemble (Sounds comes out).
  - The search mode at this time is set to "Sorted list search mode".

```
ABC_WAVE
```



OPERATION

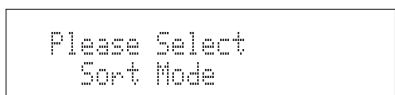
**SORT MODE  
(SORTING COMPONENTS)**

- You can sort and list scanned components by Alphanumeric, S. component or program type.
- You can then select the component you want to listen to from the list.

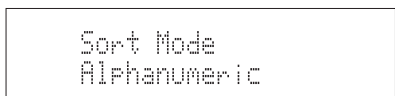
**■ Alphanumeric**

The “S.Component” is sorted in alphanumerical order.

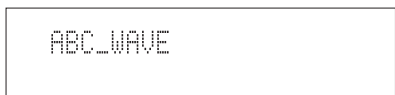
1. Press the **MENU** button ⑦ or ⑫ to select menu.
2. Either turn the **TUNING/PRESET** knob ⑭ or press the **CHANNEL/CONTROL** button ⑭ to display the sort mode selection screen.



3. Press the **TUNING/PRESET** knob ⑭ or **ENTER** button ④ to set the sort mode.
4. Either turn the **TUNING/PRESET** knob ⑭ or press the **CHANNEL/CONTROL** button ⑭ to select “Sort Mode (Alphanumeric)”.



5. Press the **TUNING/PRESET** knob ⑭ or **ENTER** button ④ to set the sort mode to “Sort Mode (Alphanumeric)”.

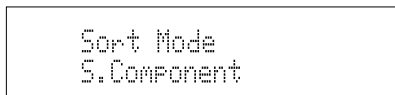


- You can select any component from the sorted list.

**■ S. component**

- You can select an S.component for listening from the list of scanned S.components produced by using the “Tuning in DAB broadcasts” (☞ page 19)
- The “S. Component” is sorted in the order of the Service component frequencies.

1. Press the **MENU** button ⑦ or ⑫ to select menu.
2. Either turn the **TUNING/PRESET** knob ⑭ or press the **CHANNEL/CONTROL** button ⑭ to display the sort mode selection screen.
3. Press the **TUNING/PRESET** knob ⑭ or **ENTER** button ④ to set the sort mode.
4. Either turn the **TUNING/PRESET** knob ⑭ or press the **CHANNEL/CONTROL** button ⑭ to select “Sort Mode (S. Component)”.

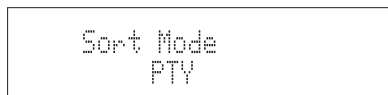


5. Press the **TUNING/PRESET** knob ⑭ or **ENTER** button ④ to set the sort mode to “Sort Mode (S. Component)”.
- You can select any component from the sorted list.

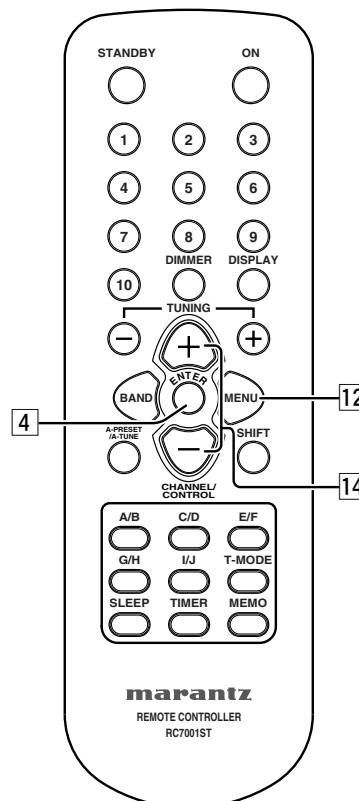
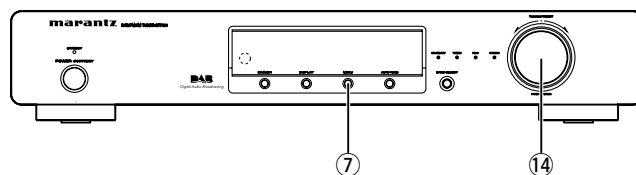
**■ PTY**

The “S.Component” is sorted in the order of the program Type.

1. Press the **MENU** button ⑦ or ⑫ to select menu.
2. Either turn the **TUNING/PRESET** knob ⑭ or press the **CHANNEL/CONTROL** button ⑭ to display the sort mode selection screen.
3. Press the **TUNING/PRESET** knob ⑭ or **ENTER** button ④ to set the sort mode.
4. Either turn the **TUNING/PRESET** knob ⑭ or press the **CHANNEL/CONTROL** button ⑭ to select “Sort Mode (PTY)”.

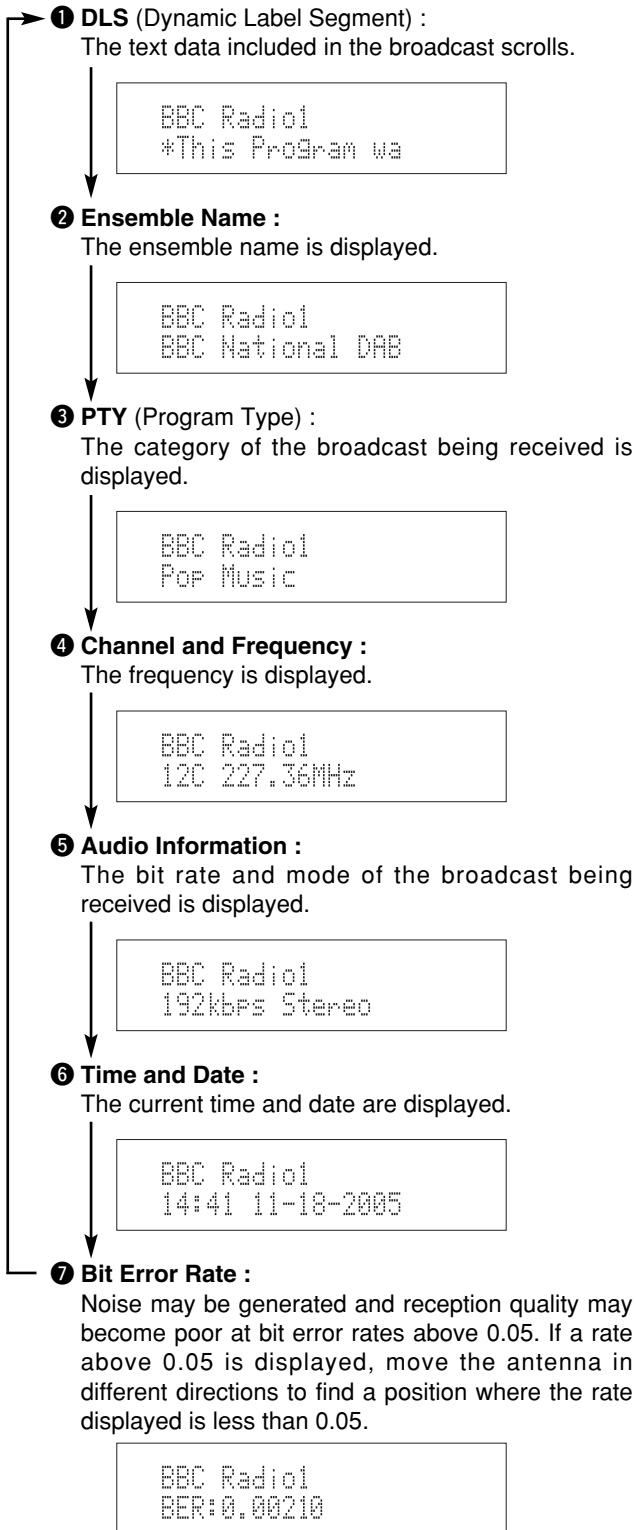


5. Press the **TUNING/PRESET** knob ⑭ or **ENTER** button ④ to set the sort mode to “Sort Mode (PTY)”.
- You can select any component from the sorted list.



## Switching the DAB information display

- Follow steps 1 to 4 under "Tuning in DAB (Digital Audio Broadcasting) broadcasts" (page 19) to tune in a DAB station.
- Press the **DISPLAY** button (5) or (9) to switch the DAB reception information.
  - The display switches as shown below each time the **DISPLAY** button (5) or (9) is pressed.



## DRC (Dynamic Range Control)

- The DRC (Dynamic Range Control) function lets you change the dynamic range of the received sound depending on the content of the broadcast so that the sound is easier to hear even when the volume is low.
- Press the **MENU** button (7) or (12) to select menu.
  - Either turn the **TUNING/PRESET** knob (14) or press the **CHANNEL/CONTROL** button (4) to display the DRC value mode selection screen.
  - Press the **TUNING/PRESET** knob (14) or **ENTER** button (4) to set the DRC value mode.
  - Either turn the **TUNING/PRESET** knob (14) or press the **CHANNEL/CONTROL** button (4) to choose the "DRC ON" or "DRC OFF".

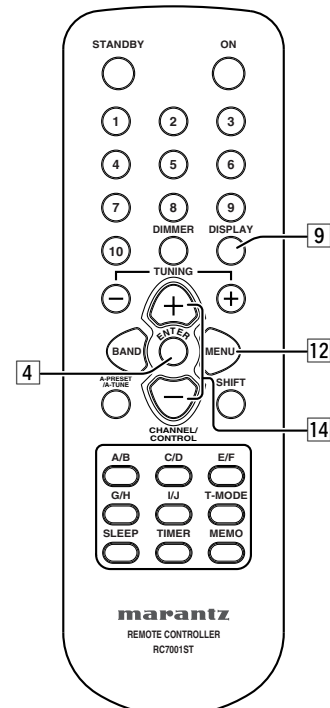
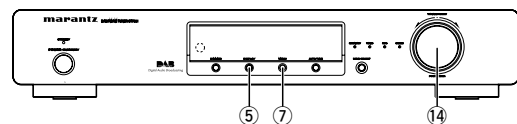


**DRC OFF:** DRC is switched off.

Any DRC level broadcast will be ignored. This is the default setting.

**DRC ON:** Applies DRC level as sent with the broadcast.

- Press the **TUNING/PRESET** knob (14) or **ENTER** button (4) to set DRC function.
  - This is effective when in a noisy environment and in quiet sections of broadcast programs. The broadcast's DRC level is set at the broadcast station. The DRC can be changed to achieve the optimum level.



# OTHER OPERATION

## SETTING THE CLOCK

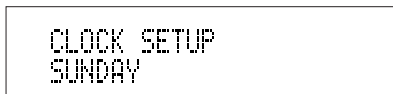
### ■ Present time setting

- To operate the timer program, you must set the present time. The clock time can be set 12-hour or 24-hour system. The clock displays "SUNDAY" "12H SYSTEM" "0:00AM" at initial.

- Press and hold down the **TIMER** button **17** until the "CLOCK 0:00AM" is displayed.

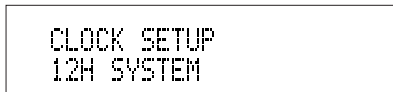


- Press the **TUNING/PRESET** knob **14** or **ENTER** button **4**, the day of the week flashes.



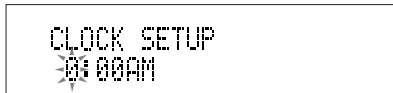
- Either turn the **TUNING/PRESET** knob **14** or press the **CHANNEL/CONTROL** button **14** to select a day.

- Press the **TUNING/PRESET** knob **14** or **ENTER** button **4**, "12H SYSTEM" is flashes.



If you want to select 24H SYSTEM, either turn the **TUNING/PRESET** knob **14** or press the **CHANNEL/CONTROL** button **14**.

- Press the **TUNING/PRESET** knob **14** or **ENTER** button **4** to set the desired system. The hour digit flashes.



- Either turn the **TUNING/PRESET** knob **14** or press the **CHANNEL/CONTROL** button **14** to set the hours and press the **TUNING/PRESET** knob **14** or **ENTER** button **4**. The minute digit flashes.

- Either turn the **TUNING/PRESET** knob **14** or press the **CHANNEL/CONTROL** button **14** to set the minutes, and press the **TUNING/PRESET** knob **14** or **ENTER** button **4**. The display flashes.

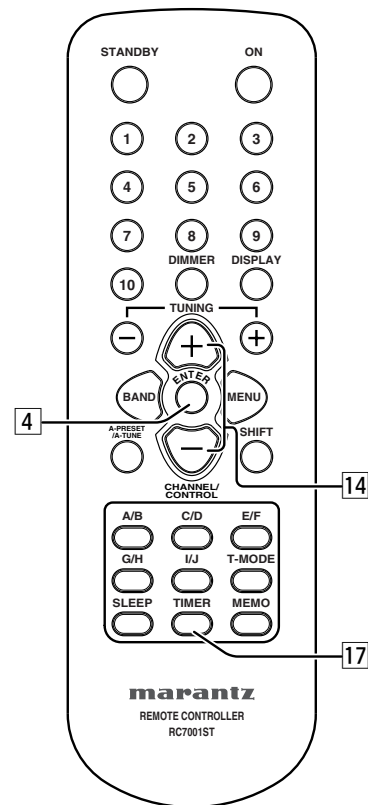
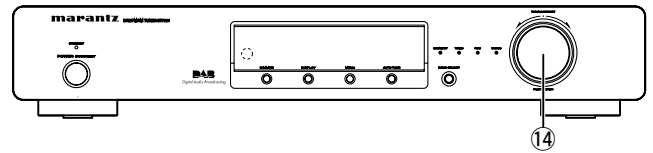


- Press the **TUNING/PRESET** knob **14** or **ENTER** button **4** to confirm the actual time. The clock now starts.

- In the event of a power failure or when the AC mains cord is disconnected. You must reset the clock.

### ■ Displaying present time

- A present time can be displayed for 5 seconds by holding down the **TIMER** button **17** more than 3 seconds.



## TIMER PROGRAMS

### About the Timer Programs

- This unit has three timer programs so that you can turn it on and off automatically at certain times and on certain days of the week.
- Timer programs can be set for single operation (Once) or everyweek operation (Everyweek) or everyday operation (Everyday) or the days of the week operation (Weekday).

### Timer Program Examples

- The following examples highlight some of the ways in which you can use the timer programs.

Timer program 1: To wake up to your favorite radio station every morning, set as follows:

TIMER PROGRAM 1 SET → FM/AM → A1 FM 87.50MHz → EVERYDAY → ON TIME= 7:00AM → OFF TIME= 7:30AM  
(If you want a radio alarm only on weekdays, select "WEEKDAY" instead of "EVERYDAY" and specify "MON-FRI".)

Timer program 2: To listen a radio program on only this Sunday, set as follows:

TIMER PROGRAM 2 SET → FM/AM → B1 AM522kHz → ONCE → SUNDAY → ON TIME= 9:00PM → OFF TIME=10:00PM

### Timer Program Overlap

- If two or three timer programs are set to the same ON TIME, the timer program with the lowest number has priority. For example, if Timer program 1 and Timer program 2 are both set to an ON TIME of 7:00AM, Timer program 1 has priority and Timer program 2 is ignored.

Timer program 1: 7:00AM - 1:00PM  
(This timer has priority)

Timer program 2: 7:00AM - 0:30PM

If the setting of the two timer program overlaps, the earlier timer has priority.

Timer program 1: 9:00AM - 10:00AM

Timer program 2: 8:00AM - 10:00AM

(This Timer program has priority)

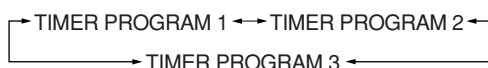
### Timer Program Setting

- You must set the clock time before you set the timer programs.
- You need to store preset stations before you set the timer programs.

- Press the **TIMER** button [17], "TIMER PROGRAM 1" is displayed.

TIMER PROGRAM 1

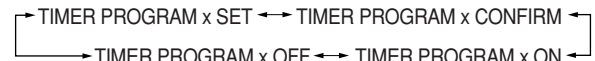
- The display changes as follows each time the **TUNING/PRESET** knob [14] is turned or the **CHANNEL/CONTROL** button [14] is pressed.



- Press the **TUNING/PRESET** knob [14] or **ENTER** button [4] to select timer program number.
- The display indicate "TIMER PROGRAM x SET".

TIMER PROGRAM 1  
SET

Either turn the **TUNING/PRESET** knob [14] or press the **CHANNEL/CONTROL** button [14], the display changes as follows.



- If timer program is already available, to select "TIMER PROGRAM x CONFIRM" to scroll the timer setting contents.
- If timer program is already available, to select "TIMER PROGRAM x ON" to activate the timer.
- To select "TIMER PROGRAM x OFF" to turn off the timer program.

- Press the **TUNING/PRESET** knob [14] or **ENTER** button [4] to select "TIMER PROGRAM x SET".
- The display indicate "TIMER PROGRAM x FM/AM". Either turn the **TUNING/PRESET** knob [14] or press the **CHANNEL/CONTROL** button [14], the display changes "TIMER PROGRAM x FM/AM" or "TIMER PROGRAM x DAB".

TIMER PROGRAM 1  
FM/AM

- Press the **TUNING/PRESET** knob [14] or **ENTER** button [4] to select "FM/AM" or "DAB".
- Either turn the **TUNING/PRESET** knob [14] or press the **CHANNEL/CONTROL** button [14] to select Preset station to be programmed.

TIMER PROGRAM 1  
A1 FM 87.50MHz

- Select the Operation method.

TIMER PROGRAM 1  
ONCE

- Either turn the **TUNING/PRESET** knob [14] or press the **CHANNEL/CONTROL** button [14] to select operation method "ONCE", "EVERYWEEK", "EVERYDAY" or "WEEKDAY".

- Press the **TUNING/PRESET** knob [14] or **ENTER** button [4] to decide the operation.

When you select "ONCE" or "EVERYWEEK", you can select the day of the week by turning the **TUNING/PRESET** knob [14] or pressing the **CHANNEL/CONTROL** button [14].

When you select "WEEKDAY", use the **TUNING/PRESET** knob [14] or pressing the **CHANNEL/CONTROL** button [14] to select the first day, and then press the **TUNING/PRESET** knob [14] or **ENTER** button [4].

## OTHER OPERATION

Use the **TUNING/PRESET** knob ⑭ or pressing the **CHANNEL/CONTROL** button ⑭ to select the last day. Then press the **TUNING/PRESET** knob ⑭ or **ENTER** button ④.

10. Set the On time.

1. Either turn the **TUNING/PRESET** knob ⑭ or press the **CHANNEL/CONTROL** button ⑭ to adjust the hour for the On time and press the **TUNING/PRESET** knob ⑭ or **ENTER** button ④.
2. Either turn the **TUNING/PRESET** knob ⑭ or press the **CHANNEL/CONTROL** button ⑭ to adjust the minutes for the On time and press the **TUNING/PRESET** knob ⑭ or **ENTER** button ④.

11. Set the Off time.

1. Either turn the **TUNING/PRESET** knob ⑭ or press the **CHANNEL/CONTROL** button ⑭ to adjust the hour for the Off time and press the **TUNING/PRESET** knob ⑭ or **ENTER** button ④.
2. Either turn the **TUNING/PRESET** knob ⑭ or press the **CHANNEL/CONTROL** button ⑭ to adjust the minutes for the Off time.

12. Set the timer program.

1. Press the **TUNING/PRESET** knob ⑭ or **ENTER** button ④ to decide the timer program setting. Standby indicator lights up green and setting contents are scrolled.

### Note

- Timer program can activate regardless of power on or standby mode.
- When timer program is finished, the unit goes to standby mode.
- When timer program is activated, standby indicator lights green.
- You can cancel the Timer program setting procedure at any time by pressing the **TIMER** button ⑰.

## Confirm and change timer program

- You can check and change the timer program setting as follows.

1. Press the **TIMER** button ⑰.
2. Either turn the **TUNING/PRESET** knob ⑭ or press the **CHANNEL/CONTROL** button ⑭ to select timer program number.
3. You can change the displayed contents with the **TUNING/PRESET** knob ⑭ or **CHANNEL/CONTROL** ⑭ and **ENTER** buttons ④ if necessary.

### Note

- Timer program is not changed if you quit confirming halfway through a procedure.

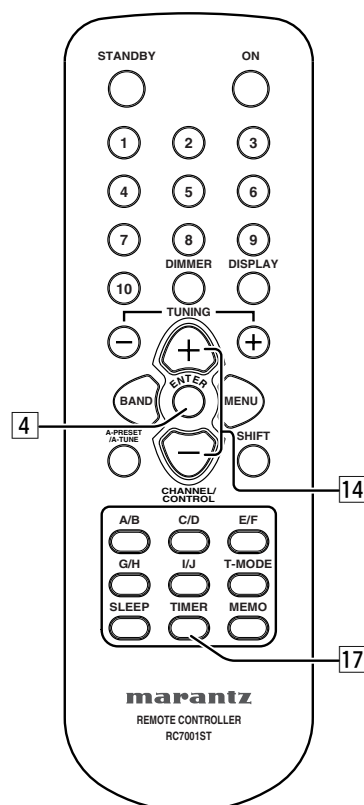
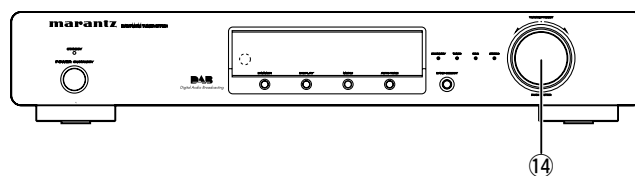
## Timer program off

1. Press the **TIMER** button ⑰, "TIMER PROGRAM 1" is displayed.
2. Either turn the **TUNING/PRESET** knob ⑭ or press the **CHANNEL/CONTROL** button ⑭ to select timer program number.
3. Press the **TUNING/PRESET** knob ⑭ or **ENTER** button ④, "TIMER PROGRAM x SET" is displayed.
4. Either turn the **TUNING/PRESET** knob ⑭ or press the **CHANNEL/CONTROL** button ⑭ to select "TIMER PROGRAM x OFF".

5. Press the **TUNING/PRESET** knob ⑭ or **ENTER** button ④ to turn off the timer program.

### Note

- To turn a timer program back on again, repeat this procedure and select "TIMER PROGRAM x ON".



## OTHER OPERATION

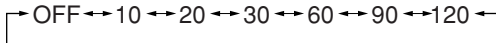
### ■ Sleep timer

- The sleep timer function allows the unit to be in standby mode automatically after specific period of time.

1. Press the **SLEEP** button **7** on the remote control.



2. Each press of the button will increase the time before shut down in the following sequence.



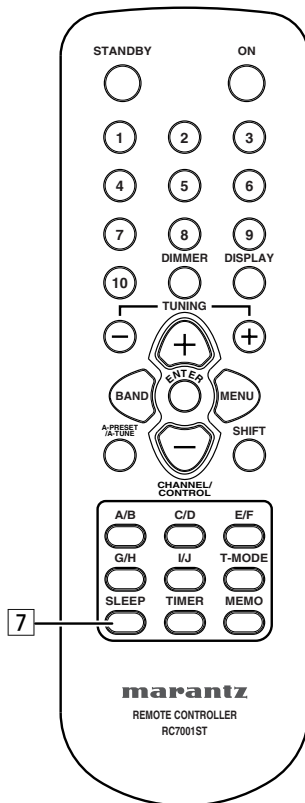
3. The sleep timer will be shown for 5 seconds in the display, and it will count down until the time has elapsed. When the programmed sleep timer has elapsed, the unit will automatically turn off.

Note that the display will be dimmed when the sleep timer is programmed.

4. Press the **SLEEP** button **7**. The display shows the remaining time until standby mode begins.

5. To cancel the sleep timer, press the **SLEEP** button **7** repeatedly until the display shows "SLEEP OFF".

- When the sleep timer is programmed, DIMMER function does not activate.



### LAST FUNCTION MEMORY

- This unit is equipped with a last function memory which stores the input and output setting conditions as they were immediately before the power is switched off. This function eliminates the need to perform complicated resettings when the power is turned on.
- The unit is also equipped with a back-up memory. This function provides approximately one week of memory storage when the main unit's power switch is off and with the mains cord disconnected.

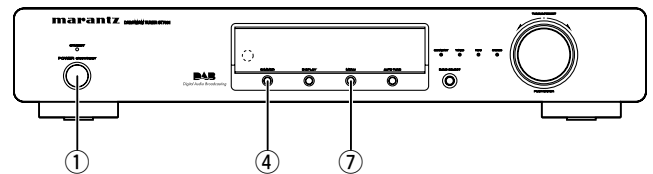
### INITIALIZATION OF THE MICROPROCESSOR

- When the indication of the display is not normal or when the operation of the unit does not show the reasonable result, the initialization of the microprocessor is required by the following procedure.

- Unplug the mains cord from the power outlet after pressing the **POWER ON/STANDBY** switch **1** and setting the standby mode.
- Holding both the **DIMMER** button **4** and **MENU** button **7**, plug the mains cord into the power outlet.
- Check that the entire display is flashing with an interval of about 1 second, and release your fingers from the 2 buttons and the microprocessor will be initialized.

#### Note

- If step 3 does not work, start over from step 1.
- If the microprocessor has been initialized all the button settings are reset to the default values (the values set upon shipment from the factory).





# TROUBLESHOOTING

If a problem should arise, first check the following.

1. Are the connections correct?
2. Have you operated the receiver according to the operating instructions?
3. Are the speakers and other components operating properly?

If this unit is not operating properly, check the items listed in the table below. Should the problem persist, there may be a malfunction. Disconnect the power immediately and contact your store of purchase.

Symptom	Cause	Measures	Page
Power does not turn on when POWER ON/STANDBY switch is pressed.	<ul style="list-style-type: none"> <li>• Mains cord's plug is not plugged into wall outlet.</li> </ul>	<ul style="list-style-type: none"> <li>• Plug the mains cord in properly.</li> </ul>	
Hissing noise is heard on FM broadcasts.	<ul style="list-style-type: none"> <li>• Antenna cable is not properly connected.</li> <li>• Antenna is not pointing in the right direction.</li> <li>• Radio waves are weak.</li> </ul>	<ul style="list-style-type: none"> <li>• Connect the leads properly.</li> <li>• Point the antenna in the right direction.</li> <li>• Install an outdoor antenna.</li> </ul>	8 8 8
Hissing or buzzing sound is heard on AM broadcasts.	<ul style="list-style-type: none"> <li>• Noise from a TV or interference in the signals sent from the broadcast station.</li> </ul>	<ul style="list-style-type: none"> <li>• Turn off the TV.</li> <li>• Change the position of the loop antenna.</li> <li>• Install an outdoor antenna.</li> </ul>	8 8 8
Booming sound (humming) is heard in AM broadcasts.	<ul style="list-style-type: none"> <li>• Signals transmitted over the main cord are modulated by the power source frequency.</li> </ul>	<ul style="list-style-type: none"> <li>• Insert the plug in the opposite direction.</li> <li>• Install an outdoor antenna.</li> </ul>	9 8
Nothing happens when remote control buttons are pressed.	<ul style="list-style-type: none"> <li>• Are the batteries dead?</li> <li>• Is the remote control unit too far away?</li> <li>• Is there an obstacle between the remote control unit and the main unit?</li> <li>• You have pressed the wrong button.</li> <li>• Batteries are not set in their proper direction (⊕ and ⊖).</li> <li>• Remote control code is different between the main unit and remote control.</li> <li>• Rear Panel EXTERNAL/INTERNAL switch is set EXTERNAL position.</li> </ul>	<ul style="list-style-type: none"> <li>• Replace the batteries with new ones.</li> <li>• Operate from closer to the main unit.</li> <li>• Remove the obstacle.</li> <li>• Press the desired button.</li> <li>• Set the batteries in the proper direction.</li> <li>• Set the remote control codes of both main unit and remote control to the same setting.</li> <li>• Set the EXTERNAL/INTERNAL switch to INTERNAL position.</li> </ul>	3 3 3 6 3 7 5
I can not get any sound.	<ul style="list-style-type: none"> <li>• Power connected amplifier not turned on.</li> </ul>	<ul style="list-style-type: none"> <li>• Connection leads to amplifier not made correctly.</li> </ul>	9
Display says "Station not Available".	<ul style="list-style-type: none"> <li>• Ensure that DAB coverage exists in your area.</li> </ul>	<ul style="list-style-type: none"> <li>• Check that antenna is connected.</li> </ul>	8
I can not access secondary services.	<ul style="list-style-type: none"> <li>• At the time of publishing this manual not many secondary services are available, this will increase as more DAB stations start broadcasting.</li> </ul>	<ul style="list-style-type: none"> <li>• If a secondary service station is available, the secondary indicator "&lt;&lt; &gt;&gt;" will be displayed next to the station name.</li> </ul>	19
I hear a burbling sound on some stations.	<ul style="list-style-type: none"> <li>• DAB like other digital media is good at producing quality audio from a low level signal, however if this signal, level is too low a "burbling" sound can sometimes be heard.</li> </ul>	<ul style="list-style-type: none"> <li>• Use the ST7001's "Tuning aid" while repositioning your antenna to get the maximum signal strength and reduce this noise.</li> </ul>	8



# SPECIFICATIONS & DIMENSIONAL DRAWINGS

## FM tuner section

Frequency range .....87.5 MHz ~ 108.0 MHz  
 Antenna terminals .....75 Ω/ohm Unbalanced  
 Usable sensitivity .....1.1 μV (12.2 dBf)  
 .....1.1 μV (IHF)  
 Image interference ratio.....80 dB  
 IF interference ratio.....100 dB  
 AM suppression ratio.....50 dB  
 Effective selectivity.....50 dB (±400 kHz)  
 Capture ratio .....2.0 dB  
 Frequency characteristics  
 .....20 Hz ~ 15 kHz +0.5/-1.0dB  
 Signal-to-noise ratio  
 Monaural .....74 dB (IHF), 70 dB (DIN)  
 Stereo.....68 dB (IHF), 64 dB (DIN)  
 Total harmonic distortion  
 Mono 1 kHz (at 75 kHz dev.) .....0.2 %  
 Stereo 1 kHz (at 67.5 kHz dev.) .....0.3 %  
 Stereo separation 1 kHz (WIDE) .....43 dB

## DAB tuner section

Frequency range  
 .....174.928 (5A) ~ 239.200 (13F) MHz (BAND III)  
 ..1452.960 (LA) ~ 1490.624 (LW) MHz (L-BAND)  
 Sensitivity.....-99 dBm  
 Signal-to-noise ratio.....103 dB  
 THD+N .....0.007 % (1 kHz)  
 Channel separation .....100 dB (1 kHz)  
 Selectivity .....40 dB (at adjacent channel)

## Frequency response

.....+0.5/-0.5 dB (5 Hz ~ 20 kHz)  
 Digital output .....Optical, Coaxial  
 Sampling frequency .....48 kHz  
 Aerial terminal .....75 Ω/ohm, F female  
 Analog output level .....2 Vrms

## AM tuner section

Frequency range .....522 kHz ~ 1611kHz  
 Antenna terminals  
 .....Terminal type with loop antenna  
 Usable sensitivity .....18 μV  
 Signal-to-noise ratio .....53 dB

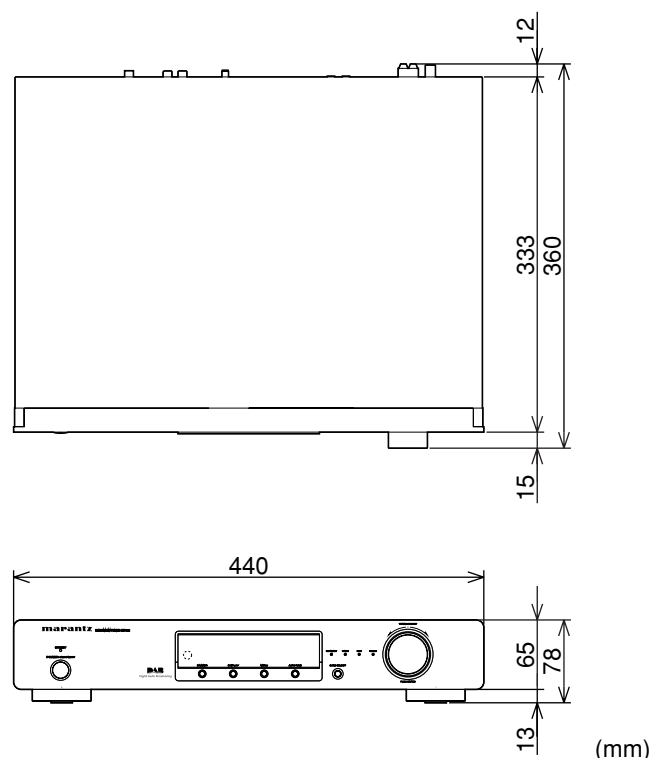
## General

Power supply.....AC 230 V, 50 Hz  
 Power consumption .....12 W  
 Weight .....4.1 kg

## Accessories

Audio connecting cord.....1  
 Power supply cord.....1  
 Remote control unit (RC7001ST).....1  
 Size "AAA" batteries.....2  
 AM loop antenna .....1  
 FM indoor antenna .....1  
 DAB indoor antenna.....1  
 Remote Control Connecting Cord .....1  
 User Guide .....1  
 Registration Card .....1

\* For purposes of improvement, specifications and design are subject to change without notice.



## SPECIFICATIONS & DIMENSIONAL DRAWINGS

### Band III (174 to 240 MHz)

Frequency	Level	Frequency	Level
174.928 MHz	5A	208.064 MHz	9D
176.640 MHz	5B	209.936 MHz	10A
178.352 MHz	5C	211.648 MHz	10B
180.064 MHz	5D	213.360 MHz	10C
181.936 MHz	6A	215.072 MHz	10D
183.648 MHz	6B	216.928 MHz	11A
185.360 MHz	6C	218.640 MHz	11B
187.072 MHz	6D	220.352 MHz	11C
188.928 MHz	7A	222.064 MHz	11D
190.640 MHz	7B	223.936 MHz	12A
192.352 MHz	7C	225.648 MHz	12B
194.064 MHz	7D	227.360 MHz	12C
195.936 MHz	8A	229.072 MHz	12D
197.648 MHz	8B	230.784 MHz	13A
199.360 MHz	8C	232.496 MHz	13B
201.072 MHz	8D	234.208 MHz	13C
202.928 MHz	9A	235.776 MHz	13D
204.640 MHz	9B	237.488 MHz	13E
206.352 MHz	9C	239.200 MHz	13F

### L-Band (1452 to 1490 MHz)

Frequency	Level	Frequency	Level
1452.960 MHz	LA	1473.504 MHz	LM
1454.672 MHz	LB	1475.216 MHz	LN
1456.384 MHz	LC	1476.928 MHz	LO
1458.096 MHz	LD	1478.640 MHz	LP
1459.808 MHz	LE	1480.352 MHz	LQ
1461.520 MHz	LF	1482.064 MHz	LR
1463.232 MHz	LG	1483.776 MHz	LS
1464.944 MHz	LH	1485.488 MHz	LT
1466.656 MHz	LI	1487.200 MHz	LU
1468.368 MHz	LJ	1488.912 MHz	LV
1470.080 MHz	LK	1490.624 MHz	LW
1471.792 MHz	LL		

## OTHERS

The section describes the care and maintenance tasks that must be performed to optimize the operation of your Marantz equipment.

### ■ Cleaning of equipment external surfaces

The exterior finish of your unit will last indefinitely with proper care and cleaning. Never use scouring pads, steel wool, scouring powders or harsh chemical agents (e.g., lye solution), alcohol, thinner, benzine, insecticide or other volatile substances as these will mar the finish of the equipment. Likewise, never use cloths containing chemical substances. If the equipment get dirty, wipe the external surfaces with a soft, lint-free cloth.

If the equipment becomes heavily soiled:

- dilute some washing up liquid in water, in a ratio of one part detergent to six parts water.
- dip a soft, lint-free cloth in the solution and wring the cloth till it is damp.
- wipe the equipment with the damp cloth.
- dry the equipment by wiping it with a dry cloth.



### ■ Repairs

Only the most competent and qualified service technicians should be allowed to service the factory-trained warranty station personnel have the knowledge and special facilities needed for repair and calibration of this precision equipment. After the warranty period has expired, repairs will be performed for a charge if the equipment can be returned to normal operation.

In the event of difficulty, refer to your dealer or write directly to the nearest location to you that is listed on the Marantz Authorized Service Station list. If writing, please include the model and serial number of the equipment together with a full description of what you think is abnormal about the equipment's behaviour.

**www.marantz.com**

You can find your nearest authorized distributor or dealer on our website.

---

U.S.A. Marantz America, Inc. 1100 Maplewood Drive, Itasca, IL 60143, U.S.A.

EUROPE Marantz Europe B.V. P.O. Box 8744, 5605 LS Eindhoven, The Netherlands

---

**marantz**<sup>®</sup> is a registered trademark.

